



D

**TOOLHEADS with DISPOSABLE CARBIDE KNIVES**  
Reversible inserts

PRODUCT CATEGORY	PAGE NO.
BEAD AND COVE TOOLHEADS	D23
COMPRESSION JOINTING TOOLHEADS	D9
CORNER ROUNDING TOOLHEADS	D22
CORNER ROUNDING/CHAMFERING TOOLHEAD SETS	D17 - D18
ENTRY AND PASSAGE DOOR TOOLHEAD SETS	D29 - D30
GROOVING INSERTS AND PROFILE KNIVES	D57
GROOVING TOOLHEADS	D1 - D2
GROOVING TOOLHEADS - ADJUSTABLE	D3 - D5
GROOVING/RABBETING TOOLHEADS - ADJUSTABLE	D6
GUIDING GROOVE TOOLHEADS	D45
HALF ROUND TOOLHEADS	D24
HELICAL STAGGERED TOOTH TOOLHEADS	D41 - D43
HELICAL TOOLHEADS (FOR SHAPING MACHINES)	D15
MITRE JOINT TOOLHEAD 45°	D21
MULTI-ANGLE TOOLHEADS	D16
MULTI-PROFILE TOOLHEADS	D32 - D36
PANEL RAISING TOOLHEAD SET	D28
PLANING AND JOINTING TOOLHEADS	D7
PLANING TOOLHEADS - CENTRIFUGAL SELF-LOCKING	D44
RABBETING TOOLHEADS	D8
REPLACEMENT PARTS	D58 - D61
ROUNDING AND CAMFERING TOOLHEAD	D31
SHAPING AND PLANING TOOLHEADS	D13 - D14
SOLID CARBIDE KNIVES	D50 - D56
SPIRAL TOOLHEADS	D40
STACKABLE TOOLHEADS	D39
STILE AND RAIL TOOLHEAD SETS	D25 - D27
TONGUE AND GROOVE TOOLHEADS	D46 - D49
TOOLHEADS FOR EDGEBANDERS	D10 - D12
TOOLHEADS FOR TENONING MACHINES	D19 - D20
WINDOW TOOLING	D37 - D38

PART NO.	PAGE NO.
1T13L	D1
1T2001M - 1T2005M	D16
1T2511M - 1T25116M	D46
1T4101M - 1T4102M	D13
1T411M	D14
1T4121M - 1T4123M	D15
1T46622 - 1T46652	D44
1T4710M - 1T4714M	D7
1T4721M - 1T4726M	D8
1T4742M - 1T4745M	D39
1T4751I - 1T4755M	D40
1T47601 - 1T47724	D41
1T48001 - 1T48124	D42
1T4801M - 1T4809M	D9
1T49001 - 1T49022	D43
1T4901M - 1T4904M	D45
1T5001I - 1T5006I	D2
1T5001M - 1T5006M	D2
1T511	D17
1T5201M - 1T5202M	D19
1T5221M - 1T5222M	D20
1T5301M	D21
1T5601M - 1T5608M	D22
1T5651M - 1T5658M	D23
1T5701M - 1T5708M	D24
1T580 - 1T580-40	D31
1T5851M - 1T5853M	D32
1T5871M - 1T5873M	D33
1T5891M - 1T5896M	D35
1T6001M - 1T6004M	D3
1T6201M - 1T6204M	D4
1T6301M	D5
1T6401M - 1T6405M	D6
1TS02F - 1TS02R	D25
1TS03	D26

PART NO.	PAGE NO.
1TS06	D27
1TS08	D28
1TS09	D29
300600 - 355011	D50 - D57
301200XL - 305000XL	D50 - D51
301211 - 306011M	D54
303011S - 306011S	D54
30600601 - 30600618	D56
30700501 - 30700509	D56
401002 - 402020	D57
W300004 - W350056	D58
W400001 - W400502	D60 - D61
W500002 - W502604	D59 - D60

**DESIGN:**

- » High tensile steel body
- » Reversible tungsten carbide inserts with 4 cutting edges

**APPLICATION:**

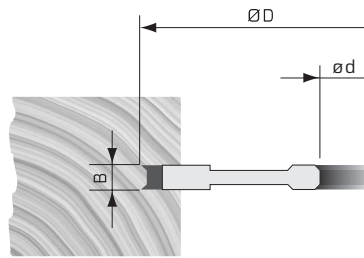
- » For chip-free grooving of lamello wood joints
- » For solid wood with and against the grain and laminated panels

**MACHINES:**

- » On Lamello and ELU machines for biscuit joints



PART NO.	DIAM. ØD MM	KERF B MM	BORE ød MM	NO. TEETH	NO. SPURS	RPM MIN-MAX
1T13L	100	4	22	4	4	7700-13200

**REPLACEMENT PARTS**

DESCRIPTION	KNIFE	KNIFE SCREW	THREADED RING FOR KNIFE	SPUR	SPUR SCREW	THREADED RING FOR SPUR	WRENCH
PART NO.	320301	W500401	W501101	301414	W500401	W501001	W400401
DIMENSIONS	18x18x1.95	M4x3.2	12x1.7	14x14x1.2	M4x3.2	10x1.65	T9 Torx



**DESIGN:**

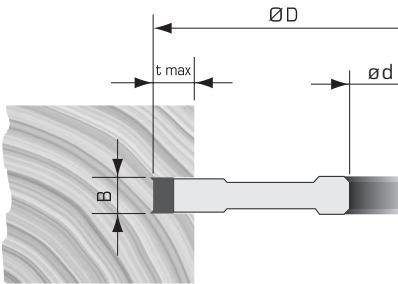
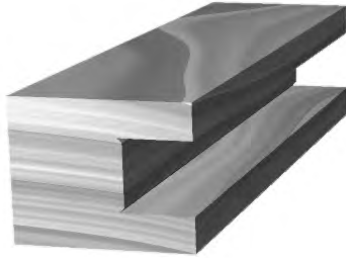
- » High tensile steel body
- » Reversible tungsten carbide inserts with 2 cutting edges for the teeth and 4 cutting edges for the spurs

**APPLICATION:**

- » For grooving solid wood, plywood, and laminated panels

**MACHINES:**

- » On shapers, double-end tenoners and moulders



**METRIC SIZES**

PART NO.	DIAM. ØD MM	KERF B MM	BORE ød MM	MAX BORE ød MM	NO. TEETH	NO. SPURS	T-MAX. MM	RPM MIN-MAX
1T5001M	140	8	31.75	50	4	4	32	5500-9200
1T5002M	140	10	31.75	50	4	4	32	5500-9200
1T5003M	140	12	31.75	50	4	4	32	5500-9200
1T5004M	180	8	31.75	60	4	4	45	4200-7200
1T5005M	180	10	31.75	60	4	4	45	4200-7200
1T5006M	180	12	31.75	60	4	4	45	4200-7200

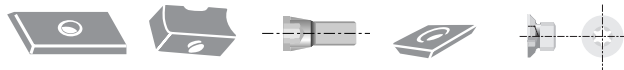
Other sizes available upon request

**IMPERIAL SIZES**

PART NO.	DIAM. ØD	KERF B	BORE ød	MAX BORE ød	NO. TEETH	NO. SPURS	T-MAX.	RPM MIN-MAX
1T5001I	5-1/2"	1/4"	1-1/4"	2"	4	4	1-1/4"	5500-9200
1T5002I	5-1/2"	3/8"	1-1/4"	2"	4	4	1-1/4"	5500-9200
1T5003I	5-1/2"	1/2"	1-1/4"	2"	4	4	1-1/4"	5500-9200
1T5004I	7-3/32"	1/4"	1-1/4"	2-3/8"	4	4	1-3/4"	4200-7200
1T5005I	7-3/32"	3/8"	1-1/4"	2-3/8"	4	4	1-3/4"	4200-7200
1T5006I	7-3/32"	1/2"	1-1/4"	2-3/8"	4	4	1-3/4"	4200-7200

Other sizes available upon request

**REPLACEMENT PARTS**



TOOL NO.	DESCRIPTION	KNIFE	WEDGE	WEDGE SCREW	SPUR	SPUR SCREW	WEDGE WRENCH	SPUR WRENCH
1T5001M 1T5004M	PART NO.	300800	W350021	W502403	301404	W500002	W400420	W400405
	DIMENSIONS	7.65x12x1.5	6.8	M5x18	14x14x2	M5x7	T20 Torx	T15 Torx
1T5002M 1T5005M	PART NO.	300960	W350022	W502403	301404	W500002	W400420	W400405
	DIMENSIONS	9.6x12x1.5	7.6	M5x18	14x14x2	M5x7	T20 Torx	T15 Torx
1T5003M 1T5006M	PART NO.	301160	W350023	W502403	301404	W500002	W400420	W400405
	DIMENSIONS	11.6x12x1.5	9	M5x18	14x14x2	M5x7	T20 Torx	T15 Torx
1T5001I 1T5004I	PART NO.	300600	W302801	W501313	301404	W500002	W400000	W400405
	DIMENSIONS	6x12x1.5	5.2	M4X16	14x14x2	M5x5.1	2mm Hex	T15 Torx
1T5002I 1T5005I	PART NO.	300920	W350022	W502403	301404	W500002	W400420	W400405
	DIMENSIONS	9.2x12x1.5	7.6	M5x18	14x14x2	M5x7	T20 Torx	T15 Torx
1T5003I 1T5006I	PART NO.	301230	W350023	W502403	301404	W500002	W400420	W400405
	DIMENSIONS	12.3x12x1.5	9	M5x18	14x14x2	M5x7	T20 Torx	T15 Torx



**DESIGN:**

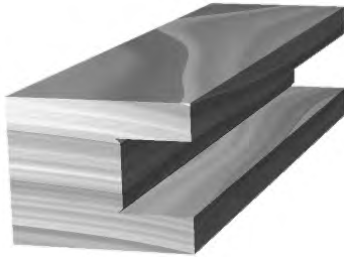
- » High tensile steel body
- » Toolheads and spacers secured with pins
- » Cutting width adjustable with shims in 0.1mm (0.004") increments
- » Reversible tungsten carbide inserts with 2 cutting edges for the teeth and 4 cutting edges for the spurs

**APPLICATION:**

- » For grooving solid woods, plywood, and laminated panels

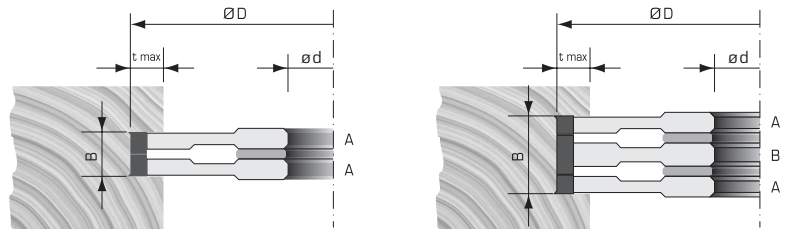
**MACHINES:**

- » On shapers, double-end tenoners, and moulders

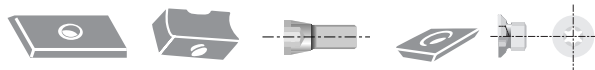


PART NO.	CUTTER TYPE	DIAM. ØD MM	KERF B MM	BORE ød	MAX BORE ød MM	NO. TEETH	NO. SPURS	T-MAX. MM	RPM MIN-MAX
1T6001M	A	160	8-15	1-1/4"	40	4	4	30	4800-7200
1T6007M	B	160	15	1-1/4"	40	2	-	30	4800-7200
1T6006M	A	160	8-15	1-1/4"	40	4	8	30	4800-7200
1T6008M	A	160	12.5-24	1-1/4"	40	4	4	30	4800-7200
1T6002M	A	160	16-30	1-1/4"	40	4	4	30	4800-7200
1T6003M	A	200	8-15	1-1/4"	40	4	4	50	3800-5800
1T6009M	B	200	15	1-1/4"	40	2	-	50	3800-5800
1T6004M	A	250	8-15	1-1/4"	40	8	8	50	3100-4600

Other sizes available upon request



**REPLACEMENT PARTS**



TOOL NO.	DESCRIPTION	KNIFE	WEDGE	WEDGE SCREW	SPUR	SPUR SCREW	WEDGE WRENCH	SPUR WRENCH
1T6001M	PART NO.	300800	W350021	W502403	301404	W500002	W400420	W400405
	DIMENSIONS	7.65x12x1.5	6.8	M5x18	14x14x2	M5x7	T20 Torx	T15 Torx
1T6002M	PART NO.	301500	W350004	W502402	301404	W500002	W400115	W400405
	DIMENSIONS	15x12x1.5	11	M7x21	14x14x2	M5x7	5mm Hex	T15 Torx
1T6003M	PART NO.	300800	W350021	W502403	301404	W500002	W400420	W400405
	DIMENSIONS	7.65x12x1.5	6.8	M5x18	14x14x2	M5x7	T20 Torx	T15 Torx
1T6004M	PART NO.	300800	W350021	W502403	301404	W500002	W400420	W400405
	DIMENSIONS	7.65x12x1.5	6.8	M5x18	14x14x2	M5x7	T20 Torx	T15 Torx
1T6006M	PART NO.	300800	W350021	W502403	301404	W500002	W400420	W400405
	DIMENSIONS	7.65x12x1.5	6.8	M5x18	14x14x2	M5x7	T20 Torx	T15 Torx
1T6007M	PART NO.	301500	W350004	W502402	-	-	W400115	-
	DIMENSIONS	15x12x1.5	11	M7x21	-	-	5mm Hex	-
1T6008M	PART NO.	301200	W350023	W502403	301404	W500002	W400420	W400405
	DIMENSIONS	12x12x1.5	9	M5x18	14x14x2	M5x7	T20 Torx	T15 Torx
1T6009M	PART NO.	301500	W350004	W502402	-	-	W400115	-
	DIMENSIONS	15x12x1.5	11	M7x21	-	-	5mm Hex	-



**DESIGN:**

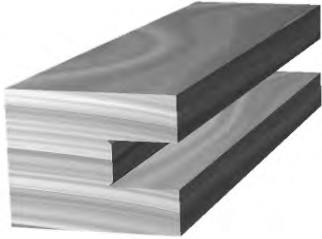
- » High tensile steel body
- » Toolheads and spacers secured with pins
- » Cutting width adjustable with shims in 0.1 mm (0.004") increments
- » Reversible tungsten carbide inserts with 4 cutting edges for the teeth and 4 cutting edges for the spurs

**APPLICATION:**

- » For grooving solid woods, plywood, and laminated panels

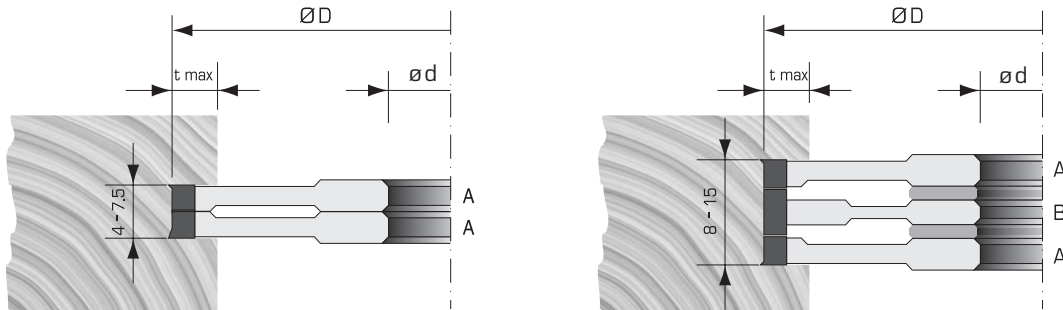
**MACHINES:**

- » On shapers and double-end tenoners



PART NO.	CUTTER TYPE	DIAM. ØD MM	KERF B MM	BORE ød	MAX BORE ød MM	NO. TEETH	NO. SPURS	T-MAX. MM	RPM MIN-MAX
1T6201M	A	180	4-7.5	1-1/4"	40	8	4	32	4200-7400
1T6204M	B	180	7.65	1-1/4"	40	2	-	32	4200-7400

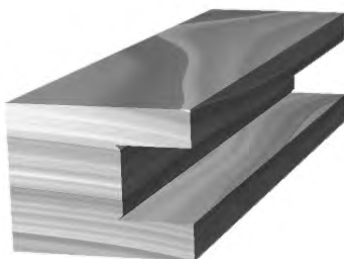
Other sizes available upon request



**REPLACEMENT PARTS**



TOOL NO.	DESCRIPTION	KNIFE	KNIFE SCREW	THREADED RING	WEDGE	WEDGE SCREW	SPUR	SPUR SCREW	THREADED RING	WRENCH
1T6201M	PART NO.	320301	W500401	W501101	-	-	301414	W500401	W501001	W400401
	DIMENSIONS	18x18x1.95	M4x3.2	12x1.7	-	-	14x14x1.2	M4x3.2	10x1.65	T9 Torx
1T6204M	PART NO.	300800	-	-	W350021	W502403	-	-	-	W400420
	DIMENSIONS	7.65x12x1.5	-	-	6.8	M5x18	-	-	-	T20 Torx



**DESIGN:**

- » High tensile steel body
- » Cutting width adjustable with threaded flange
- » Reversible tungsten carbide inserts with 4 cutting edges

**APPLICATION:**

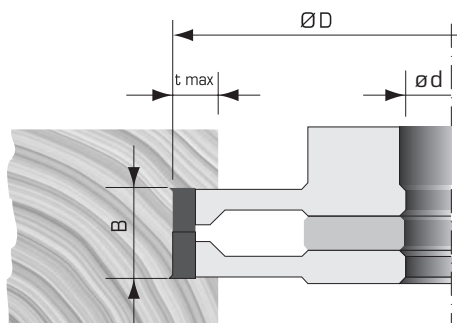
- » For precision grooves in solid wood, plywood and laminated panels

**MACHINES:**

- » On shapers and double-end tenoners

PART NO.	DIAM. ØD MM	KERF B MM	BORE ød	MAX BORE ød MM	NO. TEETH	NO. SPURS	T-MAX. MM	RPM MIN-MAX
1T6301M	180	4.75	1-1/4"	50	8	4	27	4700-7400

Other sizes available upon request



**REPLACEMENT PARTS**



DESCRIPTION	KNIFE	KNIFE SCREW	THREADED RING FOR KNIFE	SPUR	SPUR SCREW	THREADED RING FOR SPUR	TORX WRENCH
PART NO.	320301	W500401	W501101	301414	W500401	W501001	W400401
DIMENSIONS	18x18x1.95	M4x3.2	12x1.7	14x14x1.2	M4x3.2	10x1.65	T9 Torx



**DESIGN:**

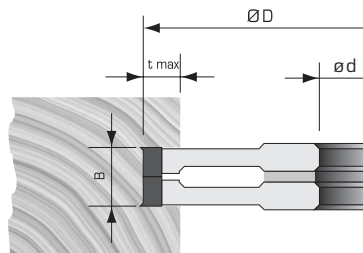
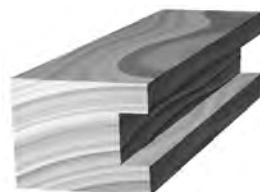
- » High tensile steel body
- » Toolheads secured together with pins
- » Cutting width adjustable with shims in 0.1mm (0.004") increments
- » Reversible tungsten carbide inserts with 2 cutting edges for the teeth and 4 cutting edges for the spurs

**APPLICATION:**

- » For grooving and rabbeting solid woods, plywood and laminated panels

**MACHINES:**

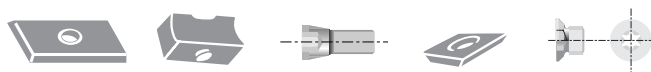
- » On shapers, double-end tenoners and moulders



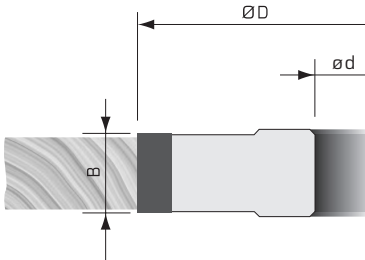
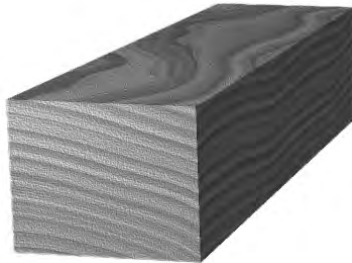
PART NO.	DIAM. ØD MM	KERF B MM	BORE ød	MAX BORE ød MM	NO. TEETH	NO. SPURS	T-MAX. MM	RPM MIN-MAX
1T6401M	160	26-39	1-1/4"	40	4	4	43	4800-8300
1T6403M	160	36-59	1-1/4"	40	4	4	43	4800-8300
1T6405M	160	56-99	1-1/4"	40	4	4	43	4800-8300

Other sizes available upon request

**REPLACEMENT PARTS**



TOOL NO.	DESCRIPTION	KNIFE	WEDGE	WEDGE SCREW	SPUR	SPUR SCREW	WEDGE WRENCH	SPUR WRENCH
1T6401M	PART NO.	302000	W350005	W502402	301404	W500002	W400115	W400405
	DIMENSIONS	20x12x1.5	16	M7x21	14x14x2	M5x7	5mm Hex	T15 Torx
1T6403M	PART NO.	303000	W350007	W502402	301404	W500002	W400115	W400405
	DIMENSIONS	30x12x1.5	26	M7x21	14x14x2	M5x7	5mm Hex	T15 Torx
1T6405M	PART NO.	305000	W350009	W502402	301404	W500002	W400115	W400405
	DIMENSIONS	50x12x1.5	46	M7x21	14x14x2	M5x7	5mm Hex	T15 Torx

**DESIGN:**

- » High tensile steel body
- » Reversible tungsten carbide inserts with 2 cutting edges

**APPLICATION:**

- » For planing and jointing solid woods with the grain and in uncoated panels

**MACHINES:**

- » On shapers and double-end tenoners

PART NO.	DIAM. ØD MM	KERF B MM	BORE ød	MAX BORE ød MM	NO. TEETH	RPM MIN.-MAX.
1T4710M	85	100	1-1/4"	30	2	9000-15700
1T4711M	100	50	1-1/4"	35	2	7700-13300
1T4712M	125	30	1-1/4"	50	2	6100-10700
1T4713M	125	50	1-1/4"	50	2	6100-10700
1T4714M	125	50	1-1/4"	50	4	6100-10700

**REPLACEMENT PARTS**

TOOL NO.	DESCRIPTION	KNIFE	WEDGE	WEDGE SCREW	WRENCH
1T4710M	PART NO.	310000	W350018	W502402	W400115
	DIMENSIONS	100x13x2.2	94	M7x21	5mm Hex
1T4711M	PART NO.	305000	W350009	W502402	W400115
	DIMENSIONS	50x12x1.5	46	M7x21	5mm Hex
1T4712M	PART NO.	303000	W350007	W502402	W400115
	DIMENSIONS	30x12x1.5	26	M7x21	5mm Hex
1T4713M	PART NO.	305000	W350009	W502402	W400115
	DIMENSIONS	50x12x1.5	46	M7x21	5mm Hex
1T4714M	PART NO.	305000	W350009	W502402	W400115
	DIMENSIONS	50x12x1.5	46	M7x21	5mm Hex



**DESIGN:**

- » High tensile steel body
- » Alternating shear angle with 4 wings and with 4 spurs
- » Reversible tungsten carbide inserts with 2 cutting edges for the teeth and 4 cutting edges for the spurs

**APPLICATION:**

- » For jointing and rabbeting solid woods with the grain and in uncoated panels

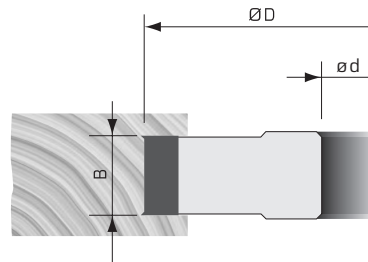
**MACHINES:**

- » On shapers, double-end tenoners, and moulders



PART NO.	DIAM. ØD MM	KERF B MM	BORE ød	MAX BORE ød MM	NO. TEETH	NO. SPURS	RPM MIN-MAX
1T4721M	125	30	1-1/4"	50	4	4	6100-10700
1T4723M	125	50	1-1/4"	50	4	4	6100-10700
1T4724M	140	50	1-1/4"	50	4	4	5500-9500
1T4726M	180	50	1-1/4"	50	4	4	4300-7500

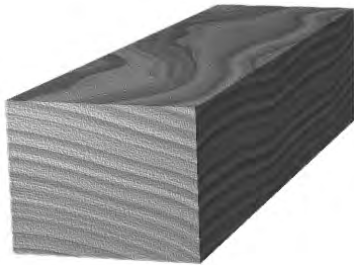
Other sizes available upon request



**REPLACEMENT PARTS**



TOOL NO.	DESCRIPTION	KNIFE	WEDGE	WEDGE SCREW	SPUR	SPUR SCREW	WEDGE WRENCH	SPUR WRENCH
1T4721M	PART NO.	303000	W350007	W502402	301404	W500002	W400115	W400405
	DIMENSIONS	30x12x1.5	26	M7x21	14x14x2	M5x7	5mm Hex	T15 Torx
1T4722M	PART NO.	305000	W350009	W502402	301404	W500002	W400115	W400405
	DIMENSIONS	50x12x1.5	46	M7x21	14x14x2	M5x7	5mm Hex	T15 Torx
1T4723M	PART NO.	305000	W350009	W502402	301404	W500002	W400115	W400405
	DIMENSIONS	50x12x1.5	46	M7x21	14x14x2	M5x7	5mm Hex	T15 Torx
1T4724M	PART NO.	305000	W350009	W502402	301404	W500002	W400115	W400405
	DIMENSIONS	50x12x1.5	46	M7x21	14x14x2	M5x7	5mm Hex	T15 Torx
1T4726M	PART NO.	305000	W350009	W502402	301404	W500002	W400115	W400405
	DIMENSIONS	50x12x1.5	46	M7x21	14x14x2	M5x7	5mm Hex	T15 Torx

**DESIGN:**

- » High tensile steel body
- » Teeth with opposing (compression) shear angle for chip-free edges
- » Reversible tungsten carbide inserts with 2 cutting edges

**APPLICATION:**

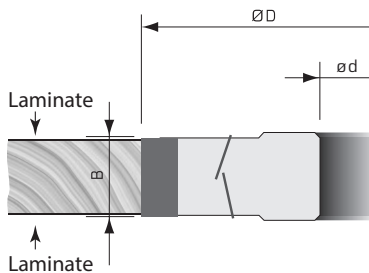
- » For chip-free jointing of laminated panels

**MACHINES:**

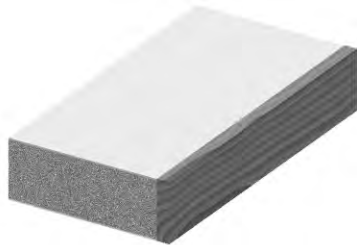
- » On shapers, double-end tenoners

PART NO.	DIAM. ØD MM	KERF B MM	BORE ød	MAX BORE ød MM	NO. TEETH	RPM MIN-MAX
1T4801M	125	56	1-1/4"	50	2+2	6100-10700
1T4803M	125	56	1-1/4"	50	3+3	6100-10700
1T4805M	150	56	1-1/4"	50	2+2	5000-9000
1T4807M	150	56	1-1/4"	50	3+3	5000-9000
1T4809M	180	56	1-1/4"	50	3+3	4200-7500

Other sizes available upon request

**REPLACEMENT PARTS**

MANUFACTURED DATE	DESCRIPTION	KNIFE	WEDGE	WEDGE SCREW	WRENCH
2004 - 2009	PART NO.	303000	W350007	W502402	W400115
	DIMENSIONS	30x12x1.5	26	M7x21	5mm Hex
2009 - PRESENT	PART NO.	303000	W360019	W501403	W400114
	DIMENSIONS	30x12x1.5	26	M8x16	4mm Hex



**DESIGN:**

- » High tensile steel body
- » 4 or 6 straight teeth
- » Reversible tungsten carbide inserts with 2 cutting edges

**APPLICATION:**

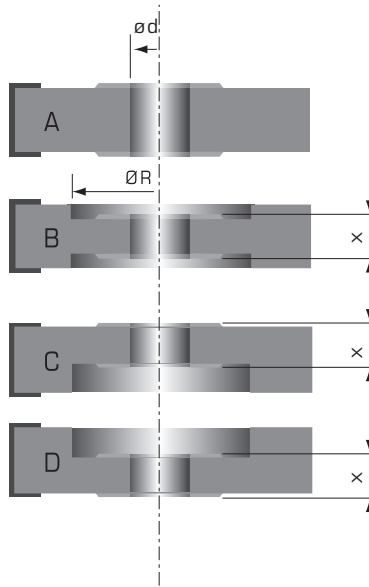
- » For flush trimming solid wood, veneer, and plastic edge bands

**MACHINES:**

- » On edgebanders

**WHEN ORDERING SPECIFY:**

- » Cutter type (A, B, C, or D)
- » Cutting diameter  $\varnothing D$
- » Kerf B
- » Number of teeth
- » Bore diameter  $\varnothing d$
- » Dimension X
- » Hub height
- » Recess diameter  $\varnothing R$
- » Quantity and dimensions of keyways or pinholes



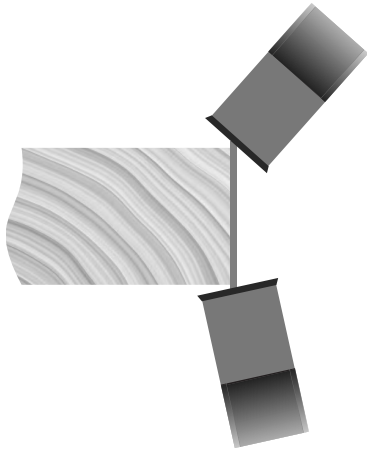
**SPECIAL PRODUCTION**

DIAM. RANGE $\varnothing D$ MM	KERF B MM	NO. TEETH
50 to 70	15	4
50 to 70	20	4
50 to 70	30	4
71 to 80	15	4
71 to 80	20	4
71 to 80	30	4
81 to 100	15	4
81 to 100	20	4
81 to 100	30	4
50 to 70	15	6
50 to 70	20	6
50 to 70	30	6
71 to 80	15	6
71 to 80	20	6
71 to 80	30	6
81 to 100	15	6
81 to 100	20	6
81 to 100	30	6

**REPLACEMENT PARTS**



DESCRIPTION	KNIFE	KNIFE	KNIFE	WEDGE	WEDGE	WEDGE	WEDGE SCREW	WRENCH
PART NO.	301500	302000	303000	W300203	W300204	W300205	W501301	W400113
DIMENSIONS	15x12x1.5	20x12x1.5	30x12x1.5	13	18	28	M6x12	3mm Hex


**DESIGN:**

- » High tensile steel body
- » 4 straight cutting edges
- » Reversible tungsten carbide inserts with 4 cutting edges
- » Available in HSK 25R connection type

**APPLICATION:**

- » For flush trimming solid wood, veneer, and plastic edge bands

**MACHINES:**

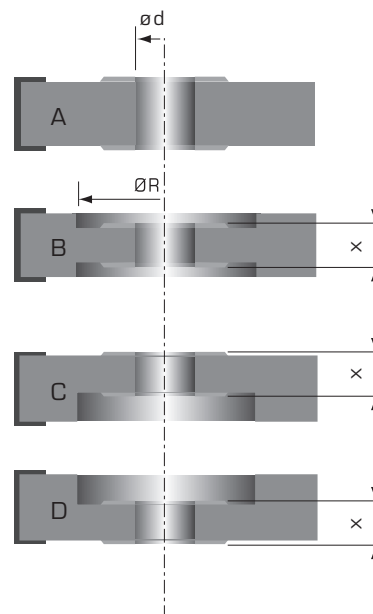
- » On edgebanders

**WHEN ORDERING SPECIFY:**

- » Cutter type (A, B, C, or D)
- » Bore diameter  $\varnothing d$  or connection type HSK 25R
- » If bore, then also specify:
  - » Dimension X
  - » Hub height
  - » Recess diameter  $\varnothing R$
  - » Quantity and dimensions of keyways or pinholes

**SPECIAL PRODUCTION**

DIAM. $\varnothing D$ MM	KERF B MM	MAX BORE $\varnothing d$ MM	NO. TEETH
70	14	22	4


**REPLACEMENT PARTS**


DESCRIPTION	SPUR	SPUR SCREW	WRENCH
<b>PART NO.</b>	<b>301404</b>	<b>W500002</b>	<b>W400405</b>
DIMENSIONS	14x14x2	M5x7	T15 Torx



**DESIGN:**

- » High tensile steel body
- » 3 profiled cutting edges
- » Disposable tungsten carbide inserts
- » For right and left hand rotation

**APPLICATION:**

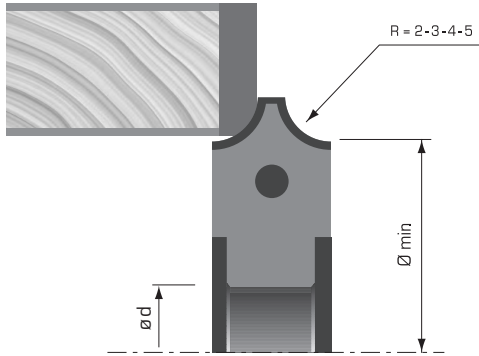
- » For rounding of edge bands in solid wood and plastic edges

**MACHINES:**

- » On edgebanders

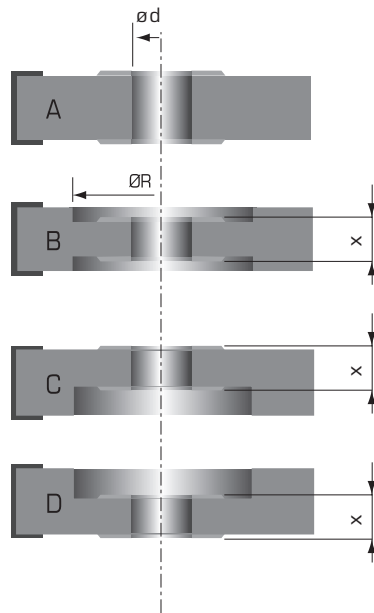
**WHEN ORDERING SPECIFY:**

- » Cutter type (A,B,C or D)
- » Cutting diameter  $\varnothing D$
- » Radius R
- » Bore diameter  $\varnothing d$
- » Dimension X
- » Hub height
- » Recess diameter  $\varnothing R$
- » Quantity and dimensions of keyways or pinholes



**SPECIAL PRODUCTION**

MAX DIAM. $\varnothing D$ MM	MIN DIAM. $\varnothing D$ MM	KERF B MM	MAX BORE $\varnothing d$ MM	NO. TEETH
73	61	16	22	3
83	70	16	25	3



**REPLACEMENT PARTS**



DESCRIPTION	WEDGE	KNIFE R2	KNIFE R3	KNIFE R4	KNIFE R5	WEDGE SCREW	WRENCH
PART NO.	W302503	401002	401003	401004	401005	W501301	W400113
DIMENSIONS	15	16x17.5x2	16x17.5x2	16x17.5x2	16x17.5x2	M6x12	3mm Hex



**DESIGN:**

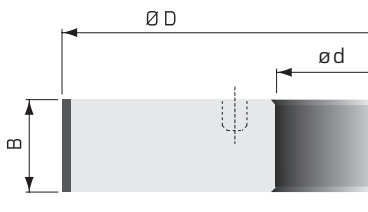
- » High tensile steel body
- » 3 straight teeth
- » Toolheads can be stacked to cut various wood thickness
- » Stacked cutters pinned together
- » Reversible tungsten carbide inserts with 2 cutting edges

**APPLICATION:**

- » For jointing and shaping solid wood components

**MACHINES:**

- » On shapers and CNC machines



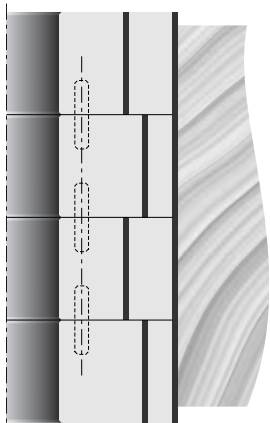
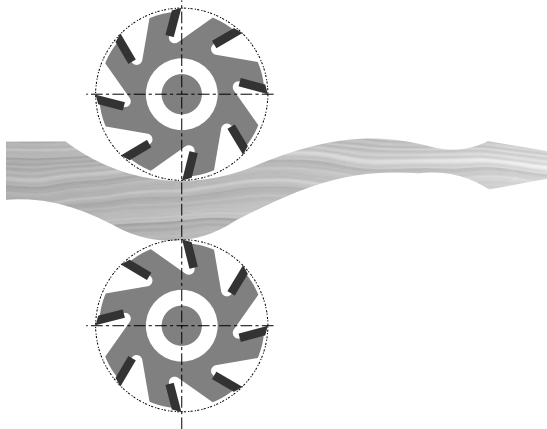
PART NO.	DIAM. ØD MM	KERF B MM	BORE ød	MAX BORE ød	NO. TEETH	RPM MIN-MAX
1T4101M	90	30	1-1/4"	1-1/4"	3	8500-17000
1T4102M	100	30	1-1/4"	35mm	3	7500-15000

Other sizes available upon request

**REPLACEMENT PARTS**



DESCRIPTION	KNIFE	WEDGE	WEDGE SCREW	WRENCH
PART NO.	303000	W300205	W501303	W400114
DIMENSIONS	30x12x1.5	28	M8x10	4mm Hex





### DESIGN:

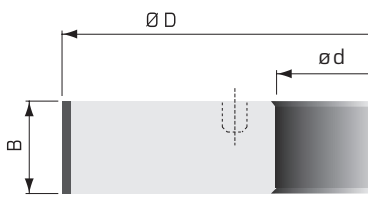
- » High tensile steel body
- » 4 straight teeth with chipbreakers
- » Chipbreaker allows for heavier stock removal
- » Toolheads can be stacked to cut various wood thickness
- » Stacked cutters pinned together
- » Reversible tungsten carbide inserts with 4 cutting edges

### APPLICATION:

- » For jointing and shaping solid wood components

### MACHINES:

- » On shapers and CNC machines



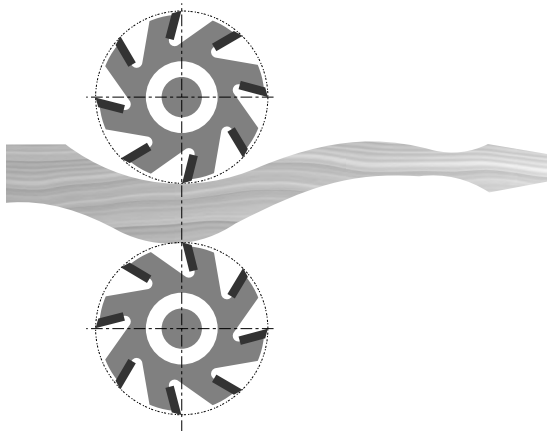
PART NO.	DIAM. ØD MM	KERF B MM	BORE ød	MAX BORE ød MM	NO. TEETH	RPM MIN-MAX
1T411M	100	15	1-1/4"	35	4	7500-13000

Other sizes available upon request

### REPLACEMENT PARTS



DESCRIPTION	KNIFE	WEDGE	WEDGE SCREW	WRENCH
PART NO.	301505	W360280	W501302	W400113
DIMENSIONS	15x15x2	14.5	M6x16	3mm Hex





### DESIGN:

- » High tensile steel body
- » 4 helical wings
- » Tungsten carbide reversible inserts with 4 cutting edges
- » Staggered teeth and helical design provide for greater stock removal and superior surface finish
- » Toolheads can be stacked to cut various wood thickness

### APPLICATION:

- » For jointing and shaping solid wood components

### MACHINES:

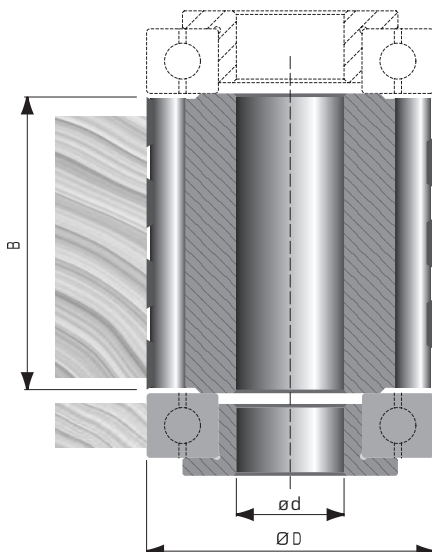
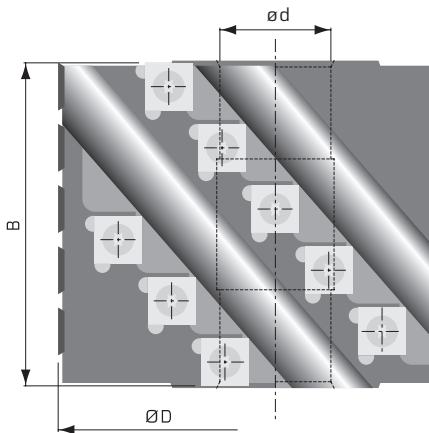
- » On shapers

### WHEN ORDERING SPECIFY:

- » If ball bearing guide and flange sleeve is required (sold separately)

PART NO.	DIAM. ØD MM	KERF B MM	BORE ød	MAX BORE ød MM	NO. WINGS	TOTAL NO. KNIVES	RPM MIN-MAX
1T4121M	80	81.5	1-1/4"	35	4	14	9500-15000
1T4123M	80	126.5	1-1/4"	35	4	20	9500-15000

Other sizes available upon request



### BEARING GUIDE

PART NO.	DIAM. ØD MM	BORE ød MM
W057114-80	80	40

### FLANGE SLEEVE

PART NO.	O.D. ØD MM	I.D. ØD
054-40-3175	40	1-1/4"

### REPLACEMENT PARTS



DESCRIPTION	KNIFE	KNIFE SCREW	WRENCH
PART NO.	301404	W500003	W400420
DIMENSIONS	14x14x2	M5x14	T20 Torx



**DESIGN:**

- » High tensile steel body
- » 2 teeth progressively adjustable from 0° to 70°
- » Tungsten carbide reversible inserts with 2 cutting edges

**APPLICATION:**

- » For jointing and chamfering solid wood and veneered or laminated panel materials

**MACHINES:**

- » On shapers, double-end tenoners and moulders

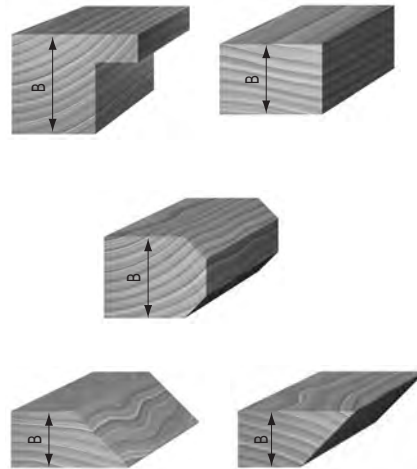
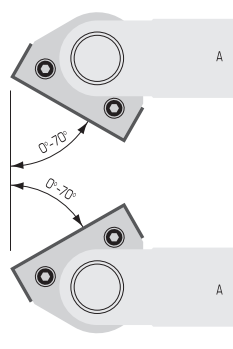
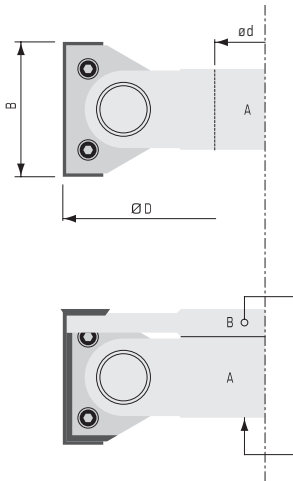
**WHEN ORDERING SPECIFY:**

- » If additional interlocking cutter for rabbet cuts is required (sold separately)
- » For rabbet cuts, toolhead must be set to the 0° position

PART NO.	CUTTER TYPE	DIAM. ØD MM	KERF B MM	BORE ød	MAX BORE ød MM	NO. TEETH	NO. SPURS	RPM MIN-MAX
1T2001M	A	160	50	1-1/4"	40	2		5000-7500
1T2002M	B	160	8	1-1/4"	40		2	5000-7500
1T2004M	A	170	50	50mm	50	2		4700-7000
1T2005M	B	170	8	50mm	50		2	4700-7000

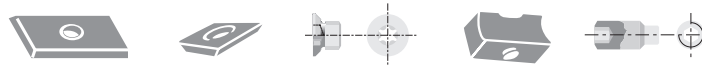
Other sizes available upon request

**PROFILE TYPE:**



MAX THICKNESS B
0° - B max = 48
5° - B max = 48
10° - B max = 47
15° - B max = 46
20° - B max = 45
25° - B max = 43
30° - B max = 41
35° - B max = 39
45° - B max = 33
50° - B max = 30
55° - B max = 26
60° - B max = 23
65° - B max = 19
70° - B max = 15

**REPLACEMENT PARTS**



TOOL NO.	DESCRIPTION	KNIFE	SPUR	SPUR SCREW	WEDGE	WEDGE SCREW	WEDGE WRENCH	SPUR WRENCH
1T2001M	PART NO.	305000	-	-	W302602	W501401	W400007	-
	DIMENSIONS	50x12x1.5	-	-	47	M6x12	8mm Hex	-
1T2002M	PART NO.	-	301404	W500002	-	-	-	W400405
	DIMENSIONS	-	14x14x2.0	M5x7	-	-	-	T15 Torx
1T2004M	PART NO.	305000	-	-	W302602	W501401	W400007	-
	DIMENSIONS	50x12x1.5	-	-	47	M6x12	8mm Hex	-
1T2005M	PART NO.	-	301404	W500002	-	-	-	W400405
	DIMENSIONS	-	14x14x2.0	M5x7	-	-	-	T15 Torx



**DESIGN:**

- » High tensile steel body
- » 2 teeth with alternating shear angle
- » Reversible tungsten carbide inserts
- » Adjustable for various wood thicknesses
- » Toolhead supplied in a wooden box complete with set of tungsten carbide knives for chamfering, corner rounding, jointing, and rabbeting

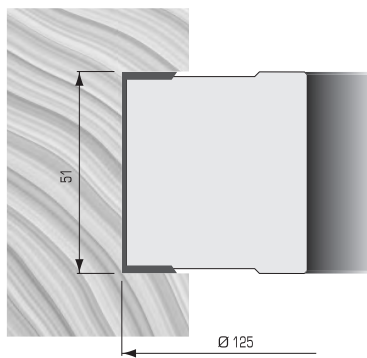
**APPLICATION:**

- » For chamfering, corner rounding, jointing and rabbeting solid wood, MDF, particle board, and plywood materials

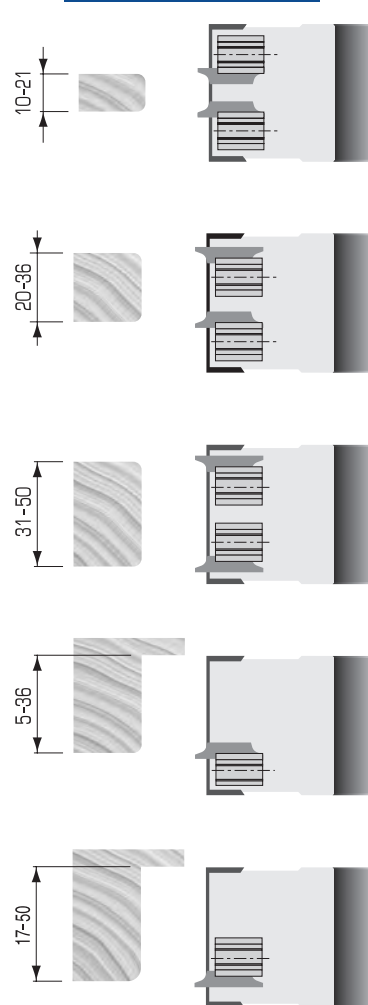
**MACHINES:**

- » On shapers, double-end tenoners, and moulders

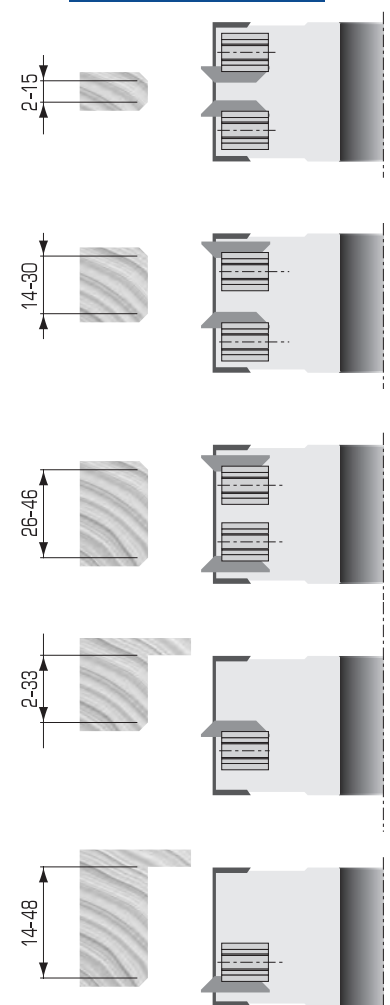
PART NO.	DIAM. ØD MM	KERF B MM	BORE ød	MAX BORE ød MM	NO. TEETH	NO. SPURS	NO. CHAMFER INSERTS	NO. RADIUS INSERTS	RPM MIN-MAX
1T511	125	51	1-1/4"	50	2	4	4	4	6000-10500

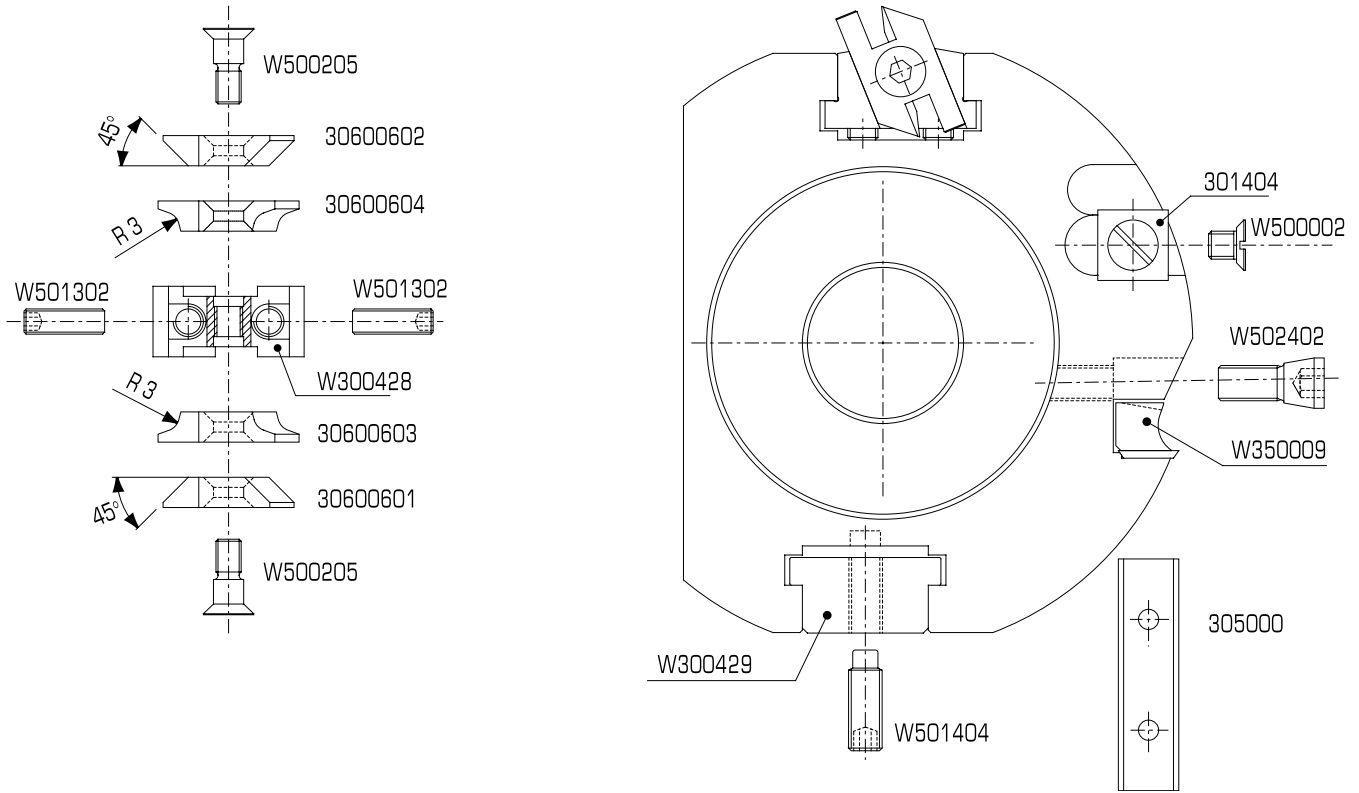


**R=3 PROFILES**

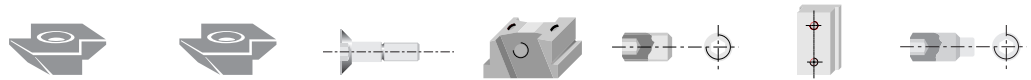


**45° PROFILES**





**REPLACEMENT PARTS - ROUNDING/CHAMFERING**



ROTATION	DESCRIPTION	CHAMFER KNIFE (45°)	ROUNDING KNIFE R=3	ROUNDING KNIFE SCREW	INSERT CARRIER	CARRIER SCREW	FILLER BLOCKS	FILLER BLOCK SCREW
LEFT-HAND	PART NO.	30600601	30600603	W500205	W300428	W501302	W300429	W501404
RIGHT-HAND	PART NO.	30600602	30600604					
	DIMENSIONS	27x6x16	27x6x16	M6x15	14x30x16.5	M6x16	48x30x15	M8x20

**REPLACEMENT PARTS - KERF**



DESCRIPTION	KNIFE	WEDGE	WEDGE SCREW
PART NO.	305000	W350009	W502402
DIMENSIONS	50x12x1.5	46	M7x21

**REPLACEMENT PARTS - SPURS**



DESCRIPTION	SPUR	SPUR SCREW
PART NO.	301404	W500002
DIMENSIONS	14x14x2	M5x7

**REPLACEMENT PARTS - WRENCHES**

PART NO.	DESCRIPTION	SCREW TYPE
W400114	4mm Hex	KNIFE
W400113	3mm Hex	CARRIER
W400114	4mm Hex	FILLER BLOCK
W400115	5mm Hex	WEDGE
W400405	T15 Torx	TORX



### DESIGN:

- » High tensile steel body
- » 6+4 teeth and 2+4 spurs
- » Adjustable for producing bevelled tenons from 4 to 48mm long
- » Reversible tungsten carbide inserts

### APPLICATION:

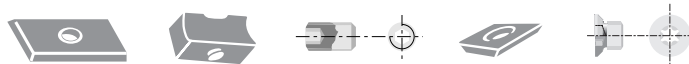
- » For producing tenons in solid wood

### MACHINES:

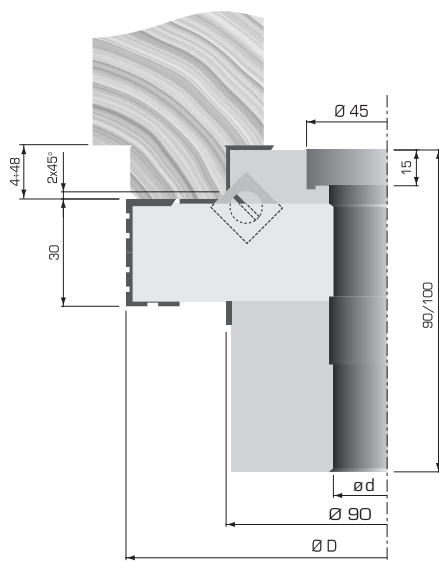
- » On tenoning machines
  - » For BALESTRINI machines use Part No. **1T5201M**
  - » For BACCI, or PADE machines use Part No. **1T5202M**

PART NO.	MACHINES	DIAM. ØD MM	KERF B MM	BORE ød MM	MAX BORE ød MM	NO. TEETH	NO. SPURS	RPM MIN-MAX
<b>1T5201M</b>	BALESTRINI	145	90	30	35	6+4	2+4	5000-9000
<b>1T5202M</b>	BACCI, PADE	145	100	30	35	6+4	2+4	5000-9000

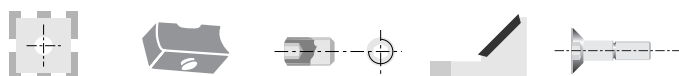
## REPLACEMENT PARTS - TOP TOOLHEAD



DESCRIPTION	KNIFE	WEDGE	WEDGE SCREW	SPUR	SPUR SCREW
<b>PART NO.</b>	<b>305000</b>	<b>W300206</b>	<b>W501301</b>	<b>301404</b>	<b>W500002</b>
<b>DIMENSIONS</b>	50x12x1.5	48	M6x12	14x14x2	M5x7



## REPLACEMENT PARTS - BOTTOM TOOLHEAD



DESCRIPTION	KNIFE	WEDGE	WEDGE SCREW	SPUR	SPUR SCREW
<b>PART NO.</b>	<b>301505</b>	<b>W300702</b>	<b>W501302</b>	<b>W300406</b>	<b>W501702</b>
<b>DIMENSIONS</b>	15x15x2	27.4	M6x16	24x15x15	M5x16

Two knives per wing required for PART NO. 301505

## WRENCHES

PART NO.	DESCRIPTION	SCREW TYPE
<b>W400114</b>	4mm Hex	WEDGE - TOP
<b>W400405</b>	T15 Torx	SPUR - TOP
<b>W400114</b>	4mm Hex	WEDGE - BOTTOM
<b>W400405</b>	T15 Torx	SPUR - BOTTOM



**DESIGN:**

- » High tensile steel body
- » 4+2 teeth and 2+4 spurs
- » Adjustable for producing bevelled tenons from 9 to 30mm long
- » Reversible tungsten carbide inserts with 2 and 4 cutting edges

**APPLICATION:**

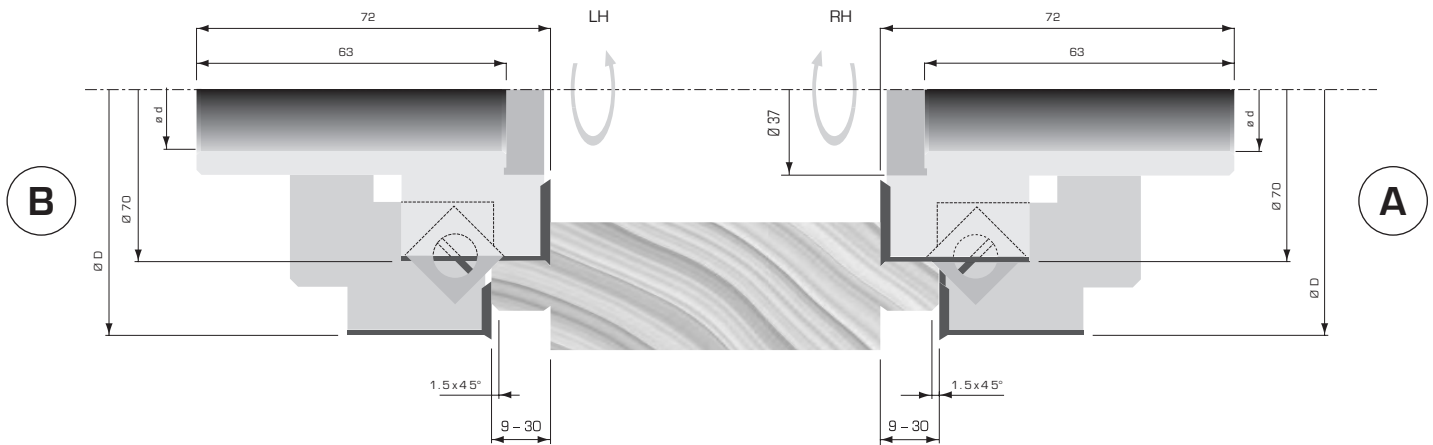
- » For producing tenons in solid wood

**MACHINES:**

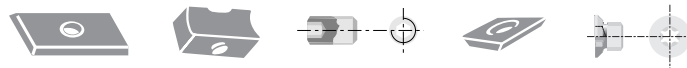
- » On tenoning machines

PART NO.	CUTTER TYPE	DIAM. ØD MM	KERF B MM	BORE ød MM	MAX BORE ød MM	NO. TEETH	NO. SPURS	RPM MIN-MAX
1T5221M	B	100	72	25	25	4+2	2+4	7500-12000
1T5222M	A	100	72	25	25	4+2	2+4	7500-12000

Other sizes available upon request



**REPLACEMENT PARTS**



TOOL NO.	DESCRIPTION	KNIFE	WEDGE	WEDGE SCREW	SPUR	SPUR SCREW	WEDGE WRENCH	SPUR WRENCH
1T5221M	PART NO.	1T522A	W300205	W501301	301404	W500002	W400113	W400405
	DIMENSIONS	30x12x1.5	28	M6x12	14x14x2	M5x7	3mm Hex	T15 Torx
1T5222M	PART NO.	1T522B	W300205	W501301	301404	W500002	W400113	W400405
	DIMENSIONS	30x12x1.5	28	M6x12	14x14x2	M5x7	3mm Hex	T15 Torx



**DESIGN:**

- » High tensile steel body
- » 2 single straight teeth
- » Produces 45° lock mitre joints
- » Disposable tungsten carbide inserts

**APPLICATION:**

- » For cutting 45° lock mitre joints in solid wood and panel materials in two steps: First with the workpiece in horizontal position and then with workpiece in vertical position
- » Suitable for various material thickness from 5/8" to 1-3/8"

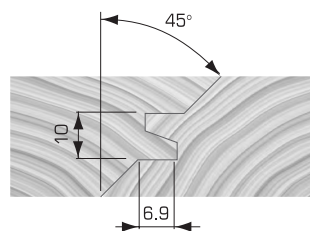
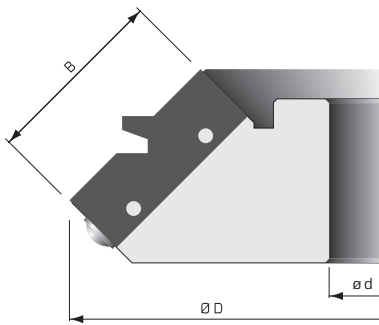
**MACHINES:**

- » On shapers



PART NO.	DIAM. ØD MM	KERF B MM	BORE ød	MAX BORE ød MM	NO. TEETH	RPM MIN-MAX
1T5301M	170	50	1-1/4"	40	2	4500-7800

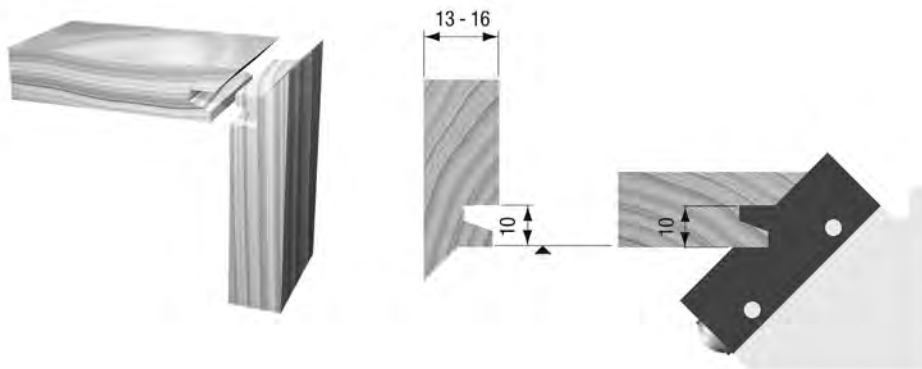
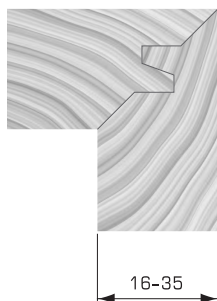
Other sizes available upon request



**REPLACEMENT PARTS**



DESCRIPTION	KNIFE	WEDGE	WEDGE SCREW	WRENCH
PART NO.	1T530A	W350009	W502402	W400115
DIMENSIONS	50x25x2	46	M7x21	5mm Hex





**DESIGN:**

- » High tensile steel body
- » 3 teeth on a shear angle
- » Disposable tungsten carbide insert knives

**APPLICATION:**

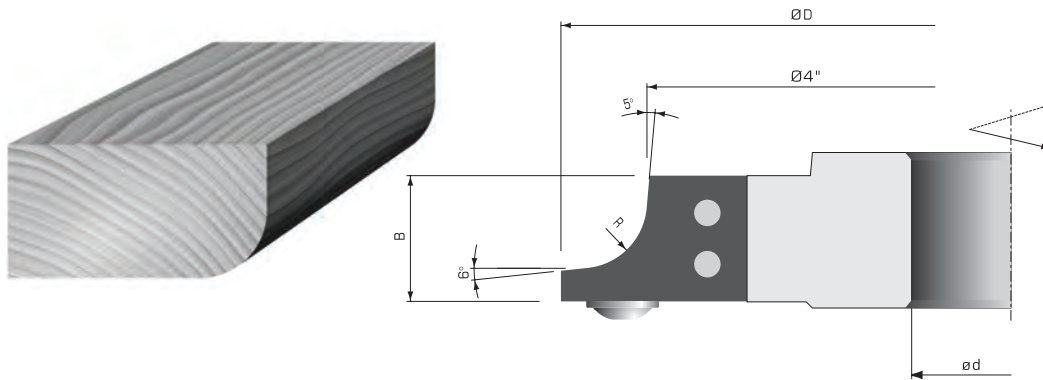
- » For producing quarter round edges in solid wood and panel materials

**MACHINE:**

- » On shapers and double-end tenoners

PART NO.	DIAM. ØD MM	KERF B MM	RADIUS R	BORE ød	MAX BORE ød MM	NO. TEETH	RPM MIN-MAX
1T5601M	124	20	1/4"	1-1/4"	50	3	6100-10600
1T5603M	124	20	3/8"	1-1/4"	50	3	6100-10600
1T5605M	143	30	1/2"	1-1/4"	50	3	5300-9100
1T5607M	143	30	5/8"	1-1/4"	50	3	5300-9100
1T5608M	143	30	3/4"	1-1/4"	50	3	5300-9100

Other sizes available upon request



**REPLACEMENT PARTS**



TOOL NO.	DESCRIPTION	KNIFE	WEDGE	WEDGE SCREW	WRENCH
1T5601M	PART NO.	1T560A	W070761	W501404	W400114
	DIMENSIONS	15x25x2	17.6x11x9.5	M8x20	4mm Hex
1T5603M	PART NO.	1T560B	W070761	W501404	W400114
	DIMENSIONS	20x25x2	17.6x11x9.5	M8x20	4mm Hex
1T5605M	PART NO.	1T560C	W049971	W501316	W400113
	DIMENSIONS	30x25x2	27x11x9.5	M6x20	3mm Hex
1T5607M	PART NO.	1T560D	W049971	W501316	W400113
	DIMENSIONS	30x30x2	27x11x9.5	M6x20	3mm Hex
1T5608M	PART NO.	1T560E	W049971	W501316	W400113
	DIMENSIONS	30x35x2	27x11x9.5	M6x20	3mm Hex



**DESIGN:**

- » High tensile steel body
- » 3 straight teeth
- » Disposable tungsten carbide insert knives

**APPLICATION:**

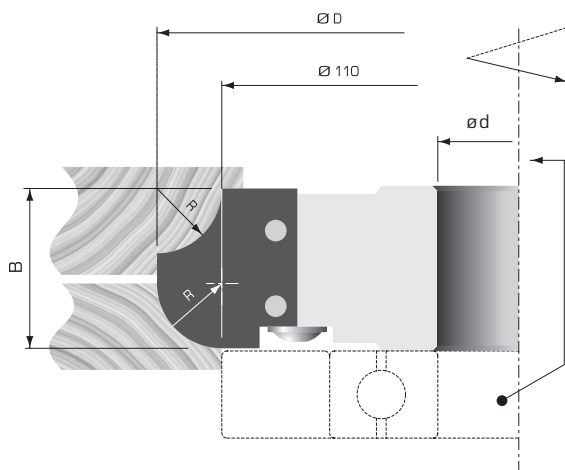
- » For producing bead and cove edges in solid wood and panel materials

**MACHINES:**

- » On shapers and double-end tenoners

PART NO.	DIAM. ØD MM	KERF B MM	RADIUS R	BORE ød	MAX BORE ød MM	NO. TEETH	RPM MIN-MAX
1T5651M	114	20	1/4"	1-1/4"	50	3	6600-11500
1T5653M	121	25	3/8"	1-1/4"	50	3	6100-10600
1T5655M	127	30	1/2"	1-1/4"	50	3	5800-10200
1T5657M	133	35	5/8"	1-1/4"	50	3	5700-9800
1T5658M	140	50	3/4"	1-1/4"	50	3	5500-9400

Other sizes available upon request



**REPLACEMENT PARTS**



TOOL NO.	DESCRIPTION	KNIFE	WEDGE	WEDGE SCREW	WRENCH
1T5651M	PART NO.	1T565A	W340006	W501404	W400114
	DIMENSIONS	20x25x2	15	M8x20	4mm Hex
1T5653M	PART NO.	1T565B	W049801	W501404	W400114
	DIMENSIONS	25x25x2	20	M8x20	4mm Hex
1T5655M	PART NO.	1T565C	W340026	W501316	W400113
	DIMENSIONS	30x30x2	26	M6x20	3mm Hex
1T5657M	PART NO.	1T565D	W340027	W501316	W400113
	DIMENSIONS	35x30x2	31	M6x20	3mm Hex
1T5658M	PART NO.	1T565E	W049771	W501404	W400113
	DIMENSIONS	50x35x2	46	M8x20	3mm Hex



**DESIGN:**

- » High tensile steel body
- » 3 straight teeth
- » Disposable tungsten carbide insert knives

**APPLICATION:**

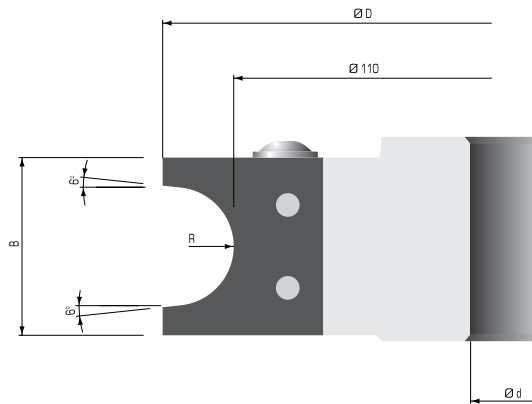
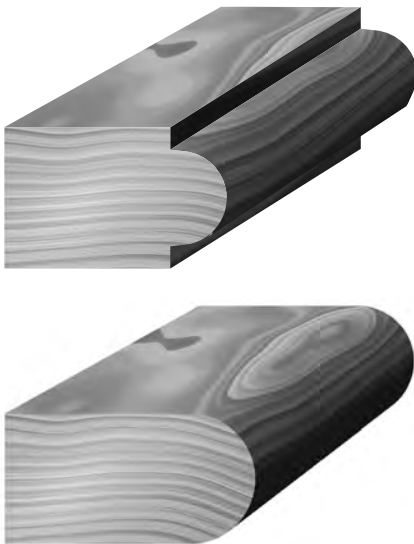
- » For producing half round edges in solid wood and panel materials

**MACHINES:**

- » On shapers, double-end tenoners, and moulders

PART NO.	DIAM. ØD MM	KERF B MM	RADIUS R	CUTTER OPENING MM	BORE ød	MAX BORE ød MM	NO. TEETH	RPM MIN-MAX
1T5701M	122	20	1/4"	13.0	1-1/4"	50	3	6100-10600
1T5703M	126	30	3/8"	19.5	1-1/4"	50	3	5800-10200
1T5705M	133	35	1/2"	26.0	1-1/4"	50	3	5700-9800
1T5707M	137	40	5/8"	32.3	1-1/4"	50	3	5500-9400
1T5708M	142	50	3/4"	38.5	1-1/4"	50	3	5300-9100

Other sizes available upon request



**REPLACEMENT PARTS**



TOOL NO.	DESCRIPTION	KNIFE	WEDGE	WEDGE SCREW	WRENCH
1T5701M	PART NO.	1T570A	W049801	W501404	W400114
	DIMENSIONS	25x25x2	20	M8x20	4mm Hex
1T5703M	PART NO.	1T570B	W340026	W501316	W400113
	DIMENSIONS	30x25x2	26	M6x20	3mm Hex
1T5705M	PART NO.	1T570C	W0081201	W501404	W400114
	DIMENSIONS	35x30x2	32x11x9.5	M8x20	4mm Hex
1T5707M	PART NO.	1T570D	W049631	W501404	W400114
	DIMENSIONS	40x30x2	36x11x9.5	M8x20	4mm Hex
1T5708M	PART NO.	1T570E	W049771	W501404	W400114
	DIMENSIONS	50x35x2	46	M8x20	4mm Hex

**DESIGN:**

- » High tensile steel body
- » 3 straight teeth
- » 4 different profiles
- » 1/2" round and flat tongue profiles
- » Sets contain 2 toolheads and 24 tungsten carbide insert knives
- » Ball bearing guide is optional and sold separately

**APPLICATION:**

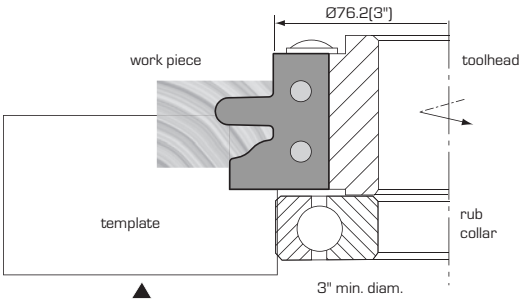
- » To produce stile and rails in solid wood and panel materials

**MACHINES:**

- » Shapers



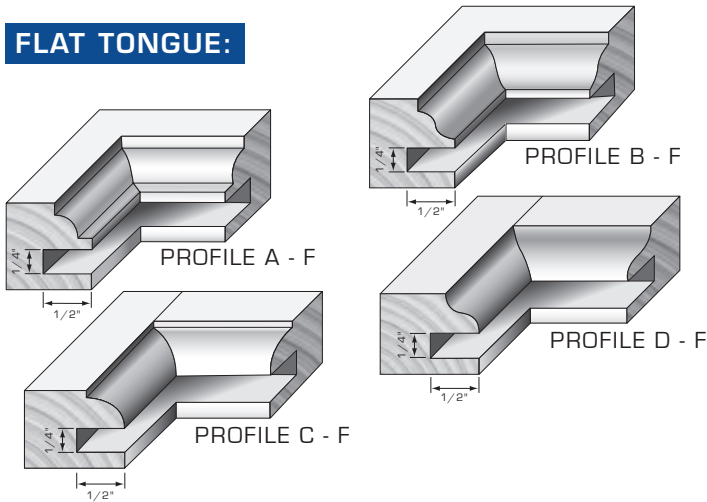
PART NO.	TONGUE TYPE	DIAM. ØD MM	KERF B MM	BORE ød	MAX BORE ød	NO. TEETH	MAX RPM
1TS02F	FLAT	101.85	30	1-1/4"	1-1/4"	3	13600
1TS02R	ROUND	101.85	30	1-1/4"	1-1/4"	3	13600



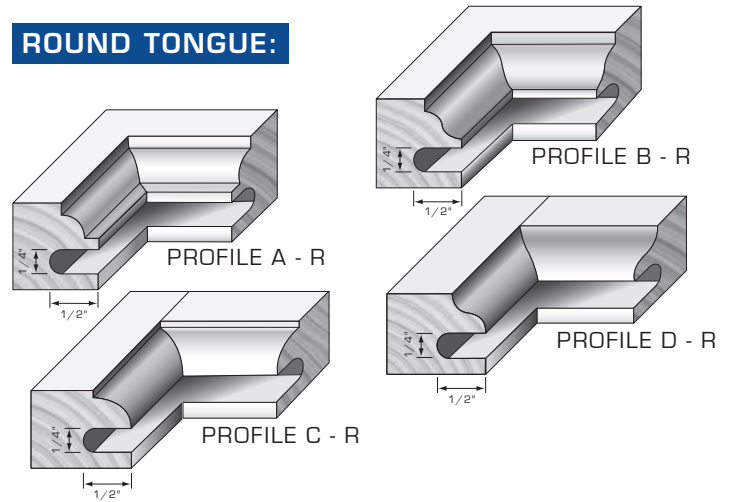
**REPLACEMENT PARTS**

DESCRIPTION	RUB COLLAR	WEDGE	SCREW	WRENCH
<b>PART NO.</b>	<b>W057114-3</b>	<b>W360045</b>	<b>W501301</b>	<b>W400113</b>
<b>DIMENSIONS</b>	3" DIAM.	28mm	M6x12	3mm Hex

**FLAT TONGUE:**



**ROUND TONGUE:**



**REDUCING SLEEVES**

PART NO.	BORE
054-3175-34	3/4"
054-3175-1	1"

2 pcs per cutter recommended  
(refer to "Flanged Sleeves" table on page H2)

**REPLACEMENT KNIVES**

PROFILE	DESCRIPTION	ROUND STILE KNIFE	ROUND RAIL KNIFE	FLAT STILE KNIFE	FLAT RAIL KNIFE
A	<b>PART NO.</b>	1TS02A1R	1TS02A2R	1TS02A1F	1TS02A2F
	<b>DIMENSIONS</b>	30x30x2	30x30x2	30x30x2	30x30x2
B	<b>PART NO.</b>	1TS02B1R	1TS02B2R	1TS02B1F	1TS02B2F
	<b>DIMENSIONS</b>	30x30x2	30x30x2	30x30x2	30x30x2
C	<b>PART NO.</b>	1TS02C1R	1TS02C2R	1TS02C1F	1TS02C2F
	<b>DIMENSIONS</b>	30x30x2	30x30x2	30x30x2	30x30x2
D	<b>PART NO.</b>	1TS02D1R	1TS02D2R	1TS02D1F	1TS02D2F
	<b>DIMENSIONS</b>	30x30x2	30x30x2	30x30x2	30x30x2



**DESIGN:**

- » High tensile steel body
- » 3 straight teeth
- » Classic shaker profile
- » 1/2" round and flat tongue profiles
- » Set contains 2 toolheads and 12 tungsten carbide insert knives
- » Ball bearing guide is optional and sold separately

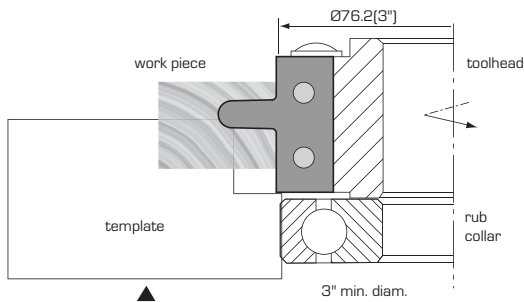
**APPLICATION:**

- » To produce stile and rails in solid wood and panel materials

**MACHINES:**

- » Shapers

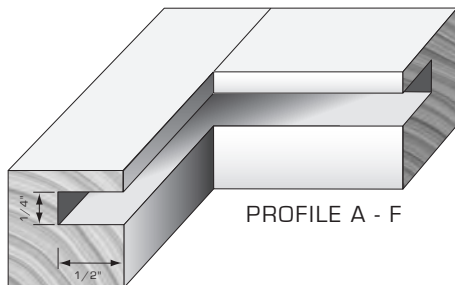
PART NO.	DIAM. ØD MM	KERF B MM	BORE ød	MAX BORE ød	NO. TEETH	MAX RPM
1TS03	101.85	30	1-1/4"	1-1/4"	3	13600



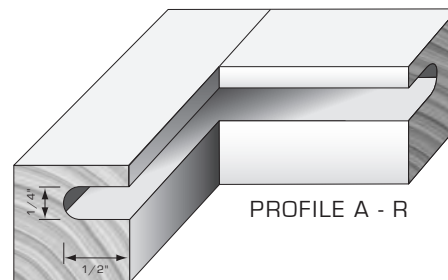
**REPLACEMENT PARTS**

DESCRIPTION	RUB COLLAR	WEDGE	SCREW	WRENCH
PART NO.	W057114-3	W360045	W501301	W400113
DIMENSIONS	3" DIAM.	28mm	M6x12	3mm Hex

**FLAT TONGUE:**



**ROUND TONGUE:**



**REDUCING SLEEVES**

PART NO.	BORE
054-3175-34	3/4"
054-3175-1	1"

2 pcs per cutter recommended  
[refer to "Flanged Sleeves" table on page H2]

**REPLACEMENT KNIVES**

PROFILE	DESCRIPTION	ROUND STILE KNIFE	ROUND RAIL KNIFE	FLAT STILE KNIFE	FLAT RAIL KNIFE
A	PART NO.	1TS03A1R	1TS03A2R	1TS03A1F	1TS03A2F
	DIMENSIONS	30x30x2	30x30x2	30x30x2	30x30x2



**DESIGN:**

- » High tensile steel body
- » 3 straight teeth
- » 4 different profiles
- » 3/8" flat tongue profile
- » Set contains 2 toolheads and 24 tungsten carbide insert knives
- » Packed in wooden box complete with wrenches
- » Ball bearing guide is optional and sold separately

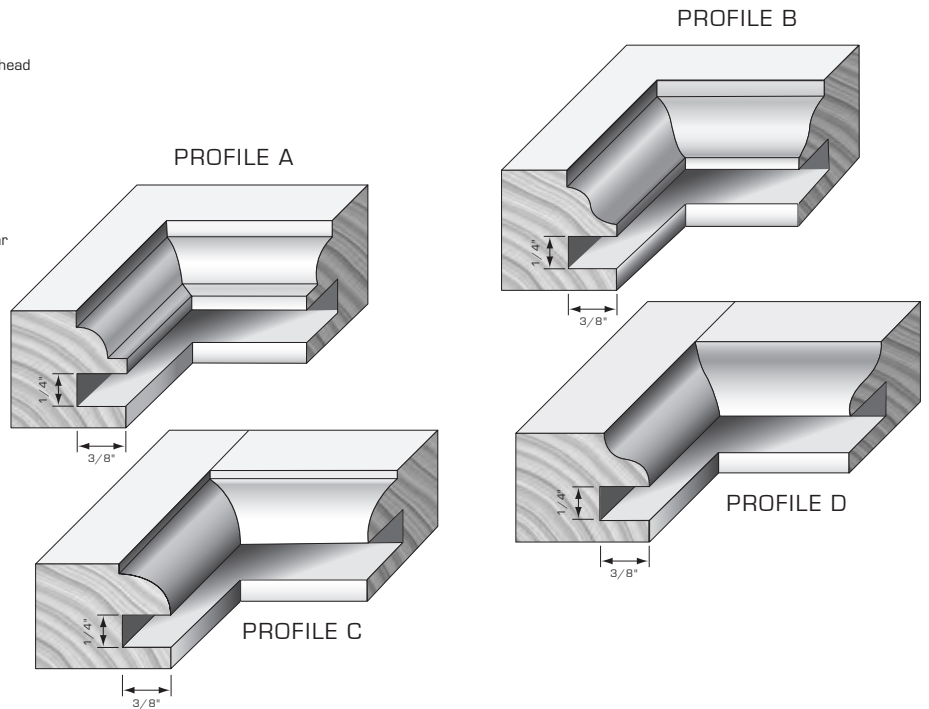
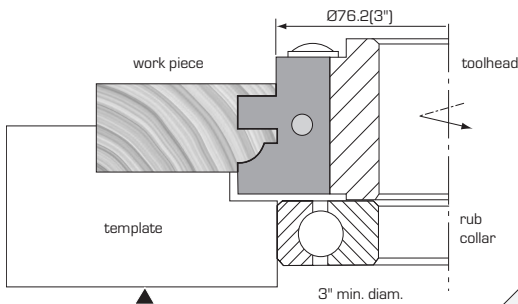
**APPLICATION:**

- » To produce stile and rails in solid wood and panel materials

**MACHINES:**

- » Shapers

PART NO.	DIAM. ØD MM	KERF B MM	BORE ød	MAX BORE ød	NO. TEETH	RPM MIN.-MAX
1TS06	95	30	1-1/4"	1-1/4"	3	7500-12000



**REPLACEMENT PARTS**

DESCRIPTION	RUB COLLAR	WEDGE	WEDGE SCREW	WRENCH
<b>PART NO.</b>	W057114-3	W042581	W501301	W400113
DIMENSIONS	3" DIAM.	28	M6x12	3mm Hex

**REDUCING SLEEVES**

PART NO.	BORE
054-3175-34	3/4"
054-3175-1	1"

2 pcs per cutter recommended  
(refer to "Flanged Sleeves" table on page H2)

**REPLACEMENT KNIVES**

PROFILE	DESCRIPTION	RAIL KNIFE	STILE KNIFE
A	<b>PART NO.</b>	1TS06A1	1TS06A2
	DIMENSIONS	30x25x2.0	30x25x2.0
B	<b>PART NO.</b>	1TS06B1	1TS06B2
	DIMENSIONS	30x25x2.0	30x25x2.0
C	<b>PART NO.</b>	1TS06C1	1TS06C2
	DIMENSIONS	30x25x2.0	30x25x2.0
D	<b>PART NO.</b>	1TS06D1	1TS06D2
	DIMENSIONS	30x25x2.0	30x25x2.0



**DESIGN:**

- » High tensile steel body
- » 3 teeth on a shear angle
- » 5 different profiles
- » Set contains a single toolhead and 15 tungsten carbide insert knives
- » Packed in wooden box complete with wrenches
- » Ball bearing guide is optional and sold separately

**APPLICATION:**

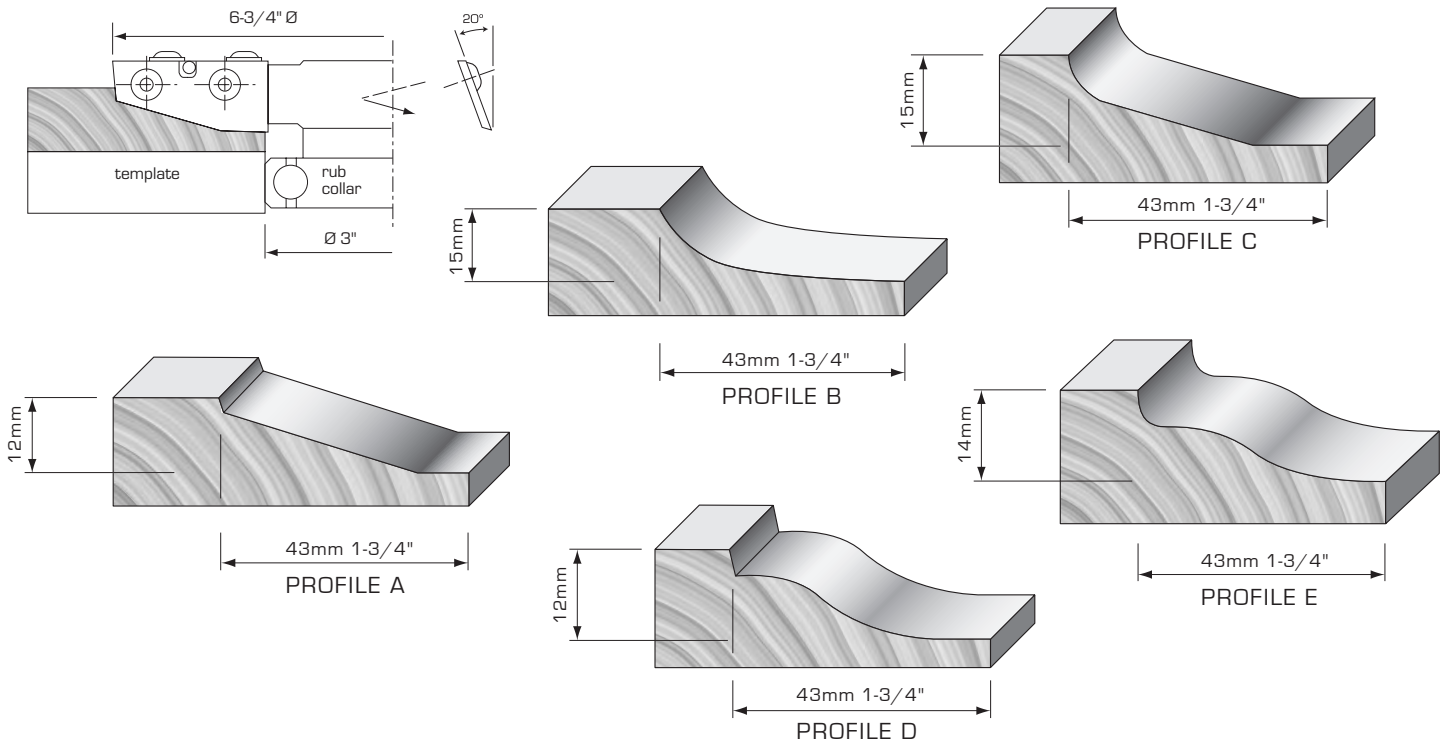
- » To produce raised panels in solid wood and panel materials

**MACHINES:**

- » Shapers

PART NO.	DIAM. ØD MM	KERF B MM	BORE ød	MAX BORE ød MM	NO. TEETH	RPM MIN-MAX
1TS08	172	22	1-1/4"	35	3	4500-7500

Other sizes available upon request



**REPLACEMENT PARTS**

DESCRIPTION	KNIFE SCREW	WASHER FOR LOCKING SCREW	POSITIONING SCREW	RUB COLLAR	WRENCH
PART NO.	W501203	W300460	W502601	W057114-3	W400405
DIMENSIONS	M5x10	10x5.3	M5x10	3" DIAM.	T15 Torx

**REPLACEMENT KNIVES**

PROFILE	DESCRIPTION	KNIFE
A	PART NO.	1TS08A
	DIMENSIONS	50x25x2.0
B	PART NO.	1TS08B
	DIMENSIONS	50x25x2.0
C	PART NO.	1TS08C
	DIMENSIONS	50x25x2.0
D	PART NO.	1TS08D
	DIMENSIONS	50x25x2.0
E	PART NO.	1TS08E
	DIMENSIONS	50x25x2.0



**DESIGN:**

- » High tensile steel body
- » 2 straight teeth with spurs
- » Set of 2 toolheads and 24 tungsten carbide insert knives to produce 4 different profiles "A - D"
- » Packed in wooden box complete with wrenches
- » Ball bearing guide is optional and sold separately

**APPLICATION:**

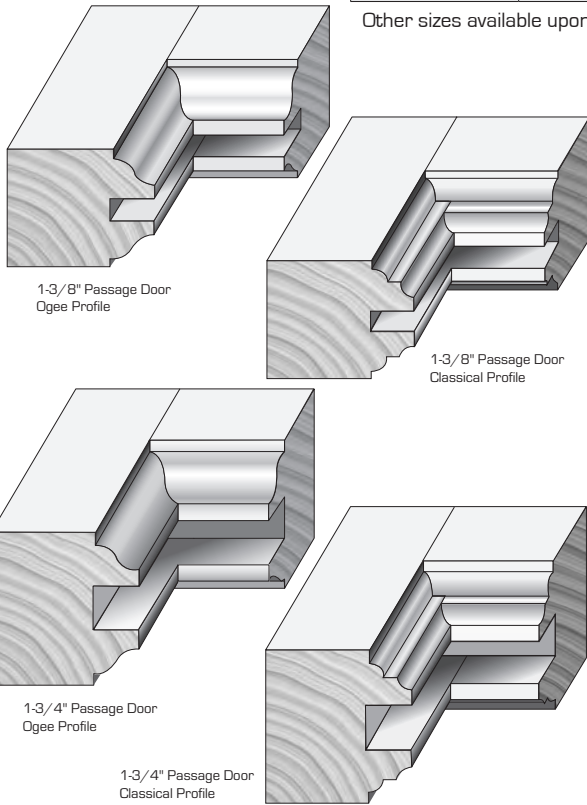
- » To produce stile and rails in solid wood

**MACHINES:**

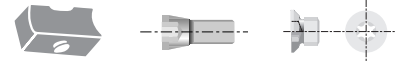
- » Shapers

PART NO.	DIAM. ØD MM	KERF B MM	BORE ød	MAX BORE ød MM	NO. TEETH	NO. SPURS	RPM MIN-MAX
1TS09	127	see drawing	1-1/4"	32	2	2	6000-10000

Other sizes available upon request



**REPLACEMENT PARTS**



TOOL NO.	DESCRIPTION	WEDGE	WEDGE SCREW	SPUR SCREW
1	PART NO.	W46961	W502402	-
	DIMENSIONS	13x11x9.5	M7x21	-
2	PART NO.	W46951	W502402	-
	DIMENSIONS	13x11x9.5	M7x21	-
3	PART NO.	W32641	W501313	W500004
	DIMENSIONS	5x10x8	M4x16	M5x5.1
4	PART NO.	W350023	W502403	W500002
	DIMENSIONS	9	M5x18	M5x7
5	PART NO.	W350054	W502402	W500002
	DIMENSIONS	26x11x9.5	M7x21	M5x7

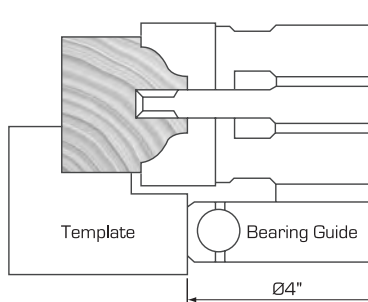
**REPLACEMENT KNIVES**

**WRENCHES**

TOOL NO.	PROFILE	KNIFE PART NO.
1	1A	1TS091A
	1B	1TS091B
	1C	1TS091C
	1D	1TS091D
2	2A	1TS092A
	2B	1TS092B
	2C	1TS092C
	2D	1TS092D
3	STRAIGHT	1TS0914
	SPUR	301404
4	STRAIGHT	301230
	SPUR	301404
5	STRAIGHT	303000
	SPUR	301404

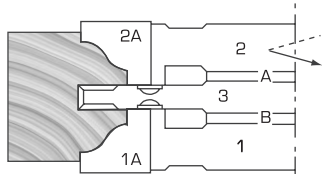
TYPE	WRENCH PART NO.
WEDGE M4	W400000 2mm Hex
WEDGE M5	W400420 T20 Torx
WEDGE M7	W400115 5mm Hex
SPUR M4	W400405 T15 Torx
SPUR M5	W400405 T15 Torx

**SPACERS**

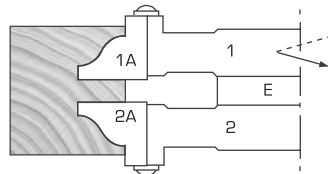


SPACER	SPACER PART NO.
A	1TS09A
B	1TS09B
C	1TS09C
D	1TS09D
E	1TS09E
F	1TS09F

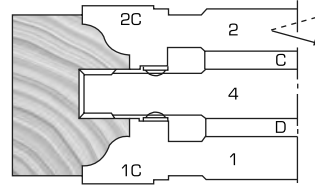
Continued on page D30...



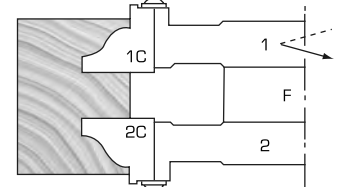
Cutting Stile



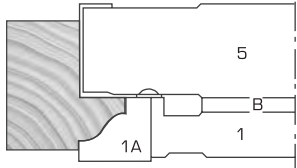
Cutting Rail



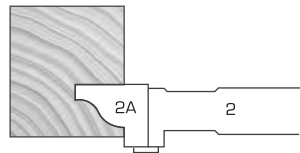
Cutting Stile



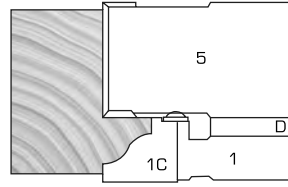
Cutting Rail



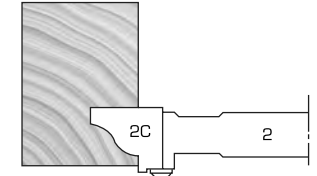
Cutting Stile for Glass Panels



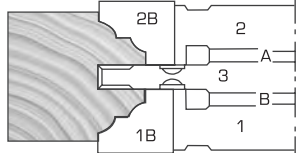
Cutting Rail for Glass Panels



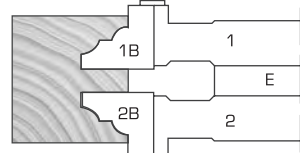
Cutting Stile for Glass Panels



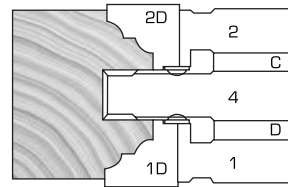
Cutting Rail for Glass Panels



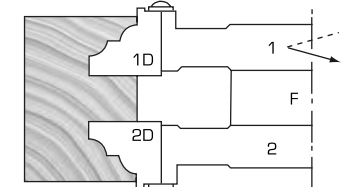
Cutting Stile



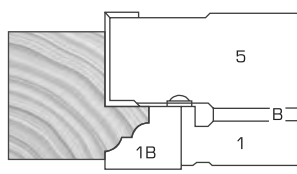
Cutting Rail



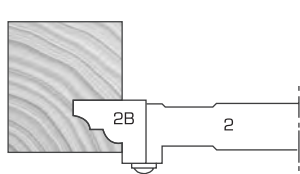
Cutting Stile



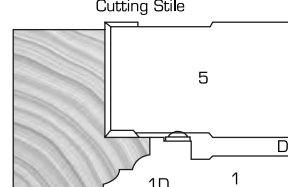
Cutting Rail



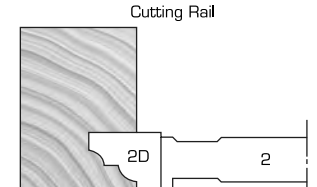
Cutting Stile for Glass Panels



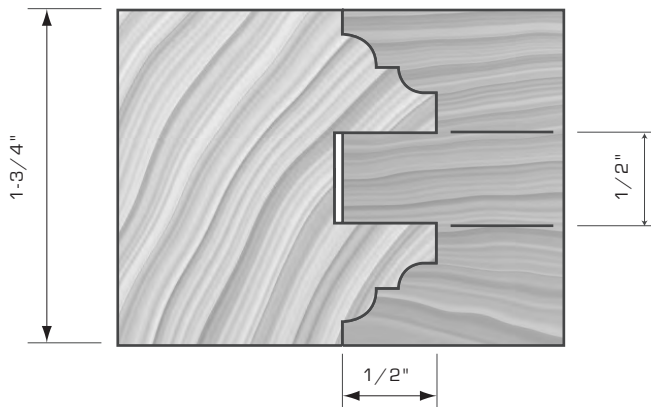
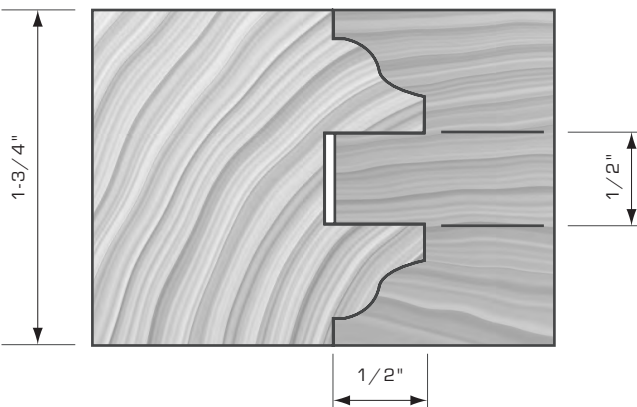
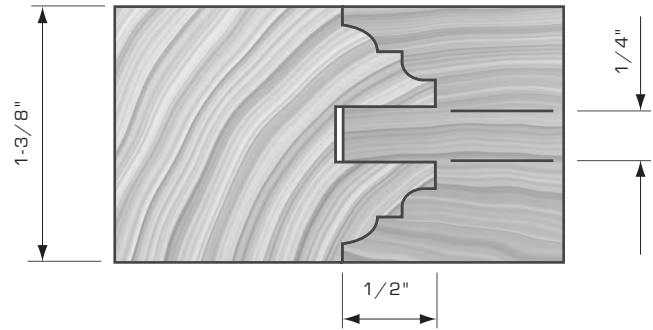
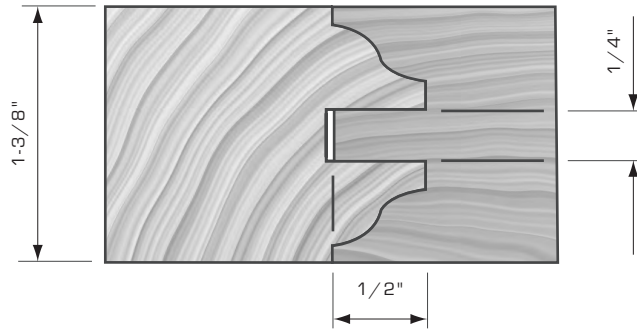
Cutting Rail for Glass Panels



Cutting Stile for Glass Panels



Cutting Rail for Glass Panels



SCALE 1:1



**DESIGN:**

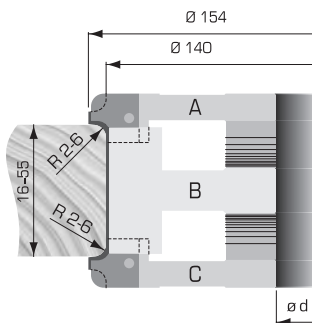
- » High tensile steel body
- » 3 teeth on a shear angle
- » Set of 3 interlocking toolheads with set of spacers, adjustable for various wood thicknesses
- » Knives for toolheads "A" and "C" are sold separately
- » Toolhead "B" is supplied with 1 set of knives
- » Tungsten carbide insert knives

**APPLICATION:**

- » For jointing, corner rounding, and chamfering in solid wood and panel materials

**MACHINES:**

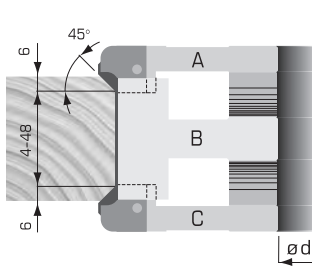
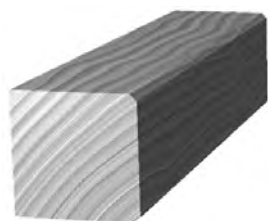
- » On shapers, double-end tenoners, and moulders



PART NO.	DIAM. ØD MM	KERF B MM	BORE ød	MAX BORE ød MM	NO. TEETH	CUTTER TYPE	RPM MIN-MAX
<b>1T580</b> COMPLETE SET	154	20	1-1/4"	50	3	A	5600-9500
	140	50	1-1/4"	50	3	B	5600-9500
	154	20	1-1/4"	50	3	C	5600-9500
<b>1T580-40</b> COMPLETE SET	154	20	40mm	50	3	A	5600-9500
	140	50	40mm	50	3	B	5600-9500
	154	20	40mm	50	3	C	5600-9500

Cutters A and C do not include knives

Other sizes available upon request



**PROFILE KNIVES**

KNIFE	KNIFE PART NO.	RADIUS	DIMENSIONS
	402002	2	20x20.5x2
	402003	3	20x20.5x2
	402004	4	20x20.5x2
	402005	5	20x20.5x2
	402006	6	20x20.5x2
	402020	$\alpha = 45^\circ$	20x20.5x2

**REPLACEMENT PARTS**



CUTTER TYPE	DESCRIPTION	KNIFE	WEDGE	WEDGE SCREW	WRENCH
A	PART NO.	SEE TABLE	W350055	W502402	W400115
	DIMENSIONS	20x20.5x2	16	M7x21	5mm Hex
B	PART NO.	305000	W350009	W502402	W400115
	DIMENSIONS	50x12x1.5	46	M7x21	5mm Hex
C	PART NO.	SEE TABLE	W350053	W502402	W400115
	DIMENSIONS	20x20.5x2	16	M7x21	5mm Hex



**DESIGN:**

- » High tensile steel body
- » 3 straight teeth
- » Backing plates 4mm thick
- » Tungsten carbide insert knives 2mm thick
- » Knives and backing plates can be profiled for various shapes

**APPLICATION:**

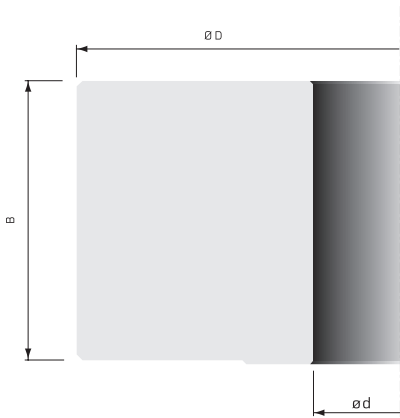
- » For profiling in solid wood and panel materials

**MACHINES:**

- » On shapers, double-end tenoners, and moulders

**WHEN ORDERING SPECIFY:**

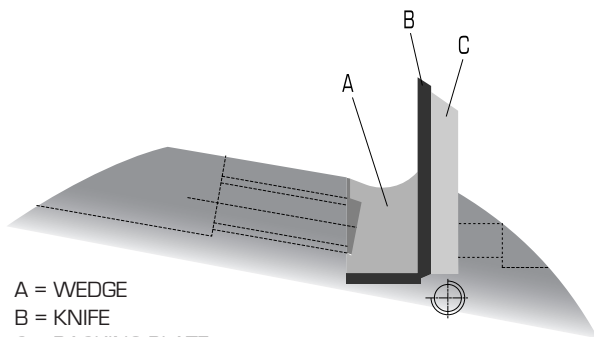
- » Knives and backing plates (items not included with toolhead)



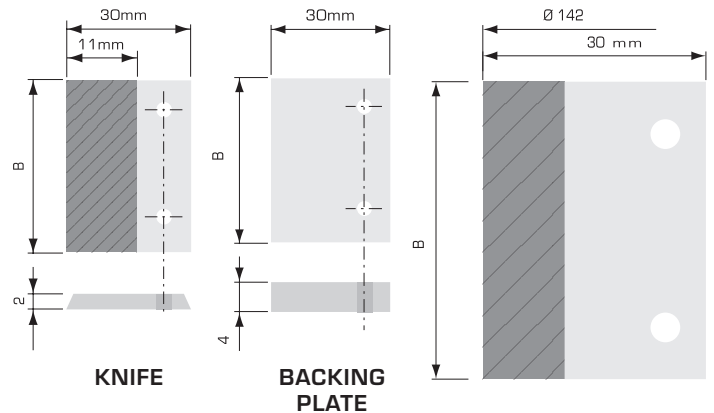
PART NO.	BODY ØD MM	KERF B MM	BORE ød	MAX BORE ød MM	NO. TEETH	MAX. RPM
1T5851M	116	40	1-1/4"	50	3	10500
1T5852M	116	50	1-1/4"	50	3	10500
1T5853M	116	60	1-1/4"	50	3	10500

Cutter excluding knives and backing plates

Other sizes available upon request



A = WEDGE  
B = KNIFE  
C = BACKING PLATE



**REPLACEMENT PARTS**



TOOL NO.	DESCRIPTION	WEDGE	WEDGE SCREW	WRENCH
1T5851M	PART NO.	W303001	W501404	W400114
	DIMENSIONS	38	M8x20	4mm Hex
1T5852M	PART NO.	W303002	W501404	W400114
	DIMENSIONS	48	M8x20	4mm Hex
1T5853M	PART NO.	W303003	W501404	W400114
	DIMENSIONS	58	M8x20	4mm Hex


**DESIGN:**

- » High tensile steel body
- » 3 straight teeth
- » Backing plates 4mm thick
- » Tungsten carbide insert knives 2mm thick
- » Knives and backing plates can be profiled for various shapes

**APPLICATION:**

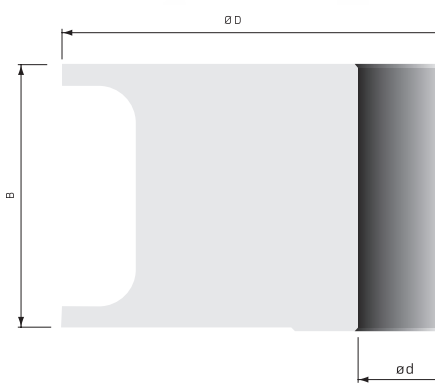
- » For profiling in solid wood and panel materials

**MACHINES:**

- » On shapers, double-end tenoners, and moulders

**WHEN ORDERING SPECIFY:**

- » Knives and backing plates (items not included with toolhead)



PART NO.	BODY ØD MM	KERF B MM	BORE ød	MAX BORE ød MM	NO. TEETH	MAX. RPM
1T5871M	147	40	1-1/4"	50	3	9500
1T5872M	147	50	1-1/4"	50	3	9500
1T5873M	147	60	1-1/4"	50	3	9500

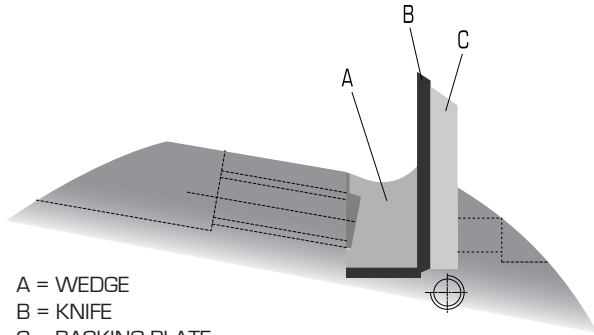
Cutter excluding knives and backing plates

Other sizes available upon request

**REPLACEMENT PARTS**

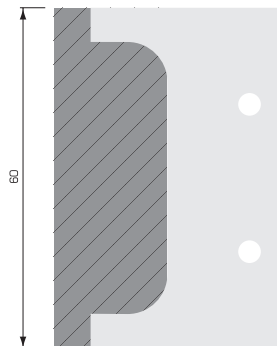
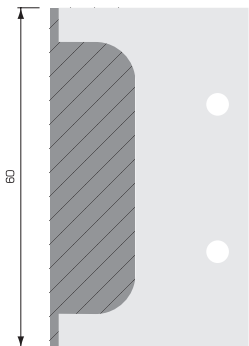
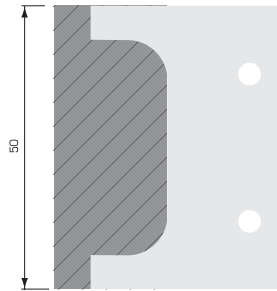
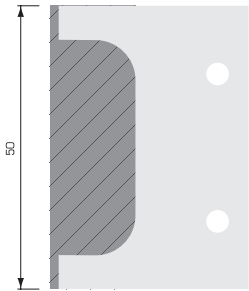
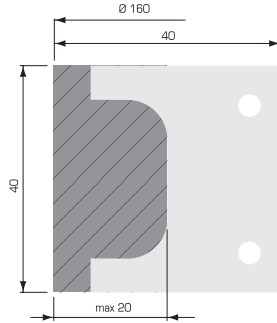
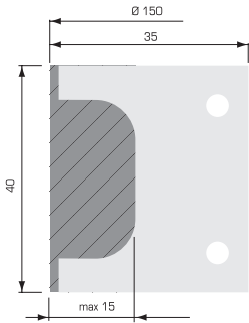
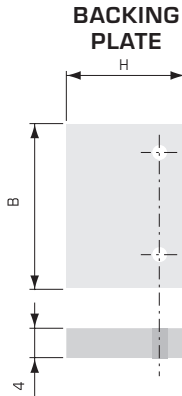
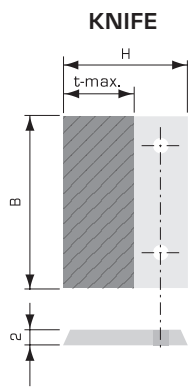

TOOL NO.	DESCRIPTION	WEDGE	WEDGE SCREW	WRENCH
1T5871M	PART NO.	W303001	W501404	W400114
	DIMENSIONS	38	M8x20	4mm Hex
1T5872M	PART NO.	W303002	W501404	W400114
	DIMENSIONS	48	M8x20	4mm Hex
1T5873M	PART NO.	W303003	W501404	W400114
	DIMENSIONS	58	M8x20	4mm Hex

Continued on page D34...



A = WEDGE  
B = KNIFE  
C = BACKING PLATE

CARBIDE KNIVES	STEEL BACKING PLATES	MAXIMUM PROFILE DEPTH t-max MM
DIMENSIONS B x H x T	DIMENSIONS B x H x T	
40 x 35 x 2	39 x 33 x 4	15
40 x 40 x 2	39 x 38 x 4	20
50 x 35 x 2	49 x 33 x 4	15
50 x 40 x 2	49 x 38 x 4	20
60 x 35 x 2	59 x 33 x 4	15
60 x 40 x 2	59 x 38 x 4	20





**DESIGN:**

- » High tensile steel body
- » 3 straight teeth
- » Backing plates 4mm thick
- » Tungsten carbide insert knives 2mm thick
- » Knives and backing plates can be profiled for various shapes
- » Knives and backing plates not included with toolhead

**APPLICATION:**

- » For profiling in solid wood and panel materials

**MACHINES:**

- » On shapers, double-end tenoners and moulders

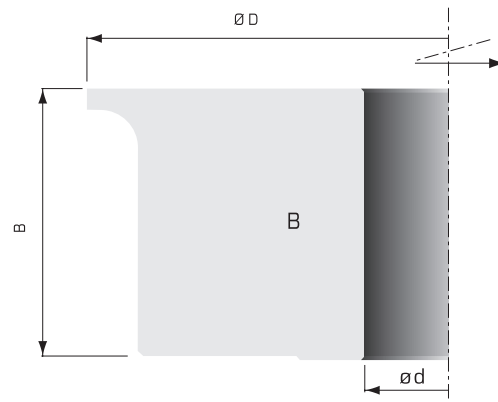
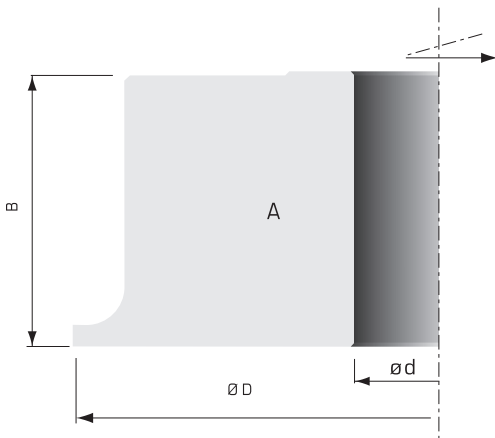
**WHEN ORDERING SPECIFY:**

- » Knives and backing plates. Items not included with toolhead.

PART NO.	CUTTER TYPE	DIAM. ØD MM	KERF B MM	BORE ød	MAX BORE ød MM	NO. TEETH	MAX. RPM
1T5891M	A	137	40	1-1/4"	50	3	10000
1T5892M	A	137	50	1-1/4"	50	3	10000
1T5893M	A	137	60	1-1/4"	50	3	10000
1T5894M	B	137	40	1-1/4"	50	3	10000
1T5895M	B	137	50	1-1/4"	50	3	10000
1T5896M	B	137	60	1-1/4"	50	3	10000

Cutters excluding knives and backing plates

Other sizes available upon request

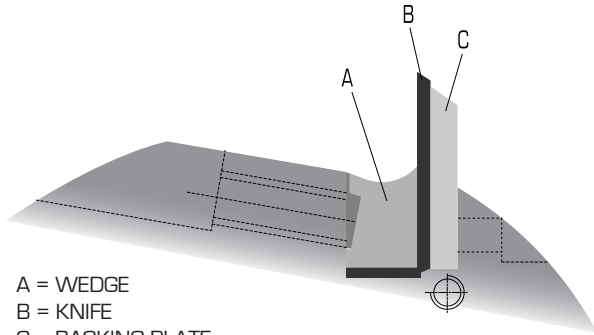


**REPLACEMENT PARTS**



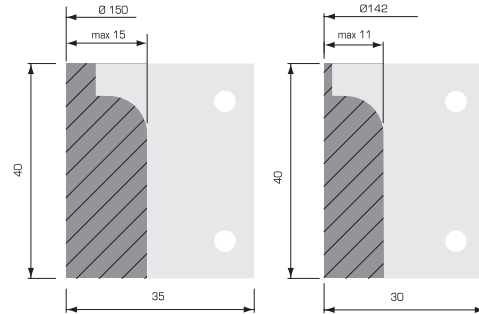
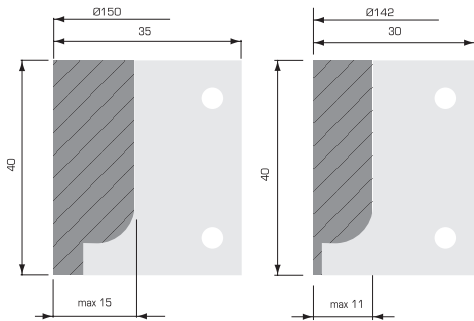
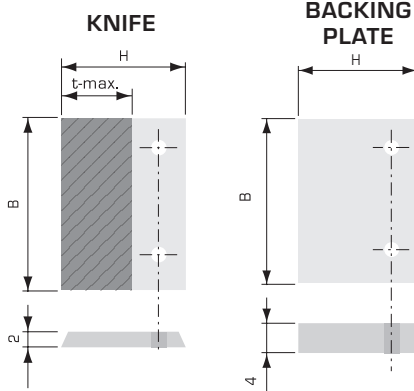
TOOL NO.	DESCRIPTION	WEDGE	WEDGE SCREW	WRENCH
1T5891M 1T5894M	PART NO.	W303001	W501404	W400114
	DIMENSIONS	38	M8x20	4mm Hex
1T5892M 1T5895M	PART NO.	W303002	W501404	W400114
	DIMENSIONS	48	M8x20	4mm Hex
1T5893M 1T5896M	PART NO.	W303003	W501404	W400114
	DIMENSIONS	58	M8x20	4mm Hex

Continued on page D36...

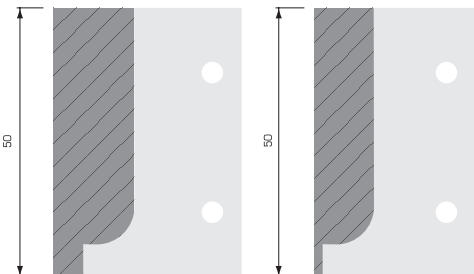


A = WEDGE  
B = KNIFE  
C = BACKING PLATE

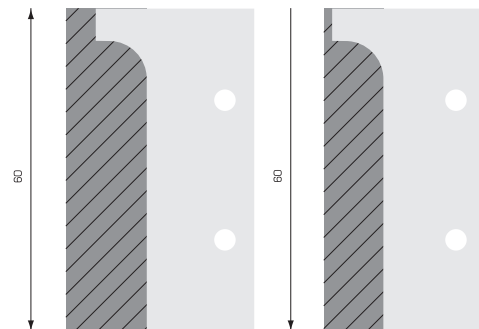
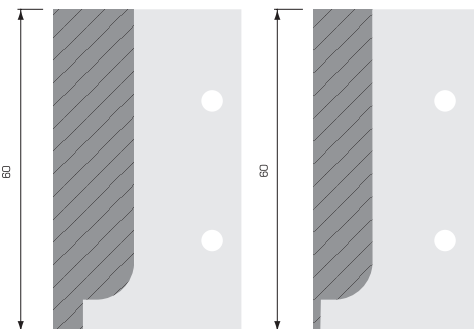
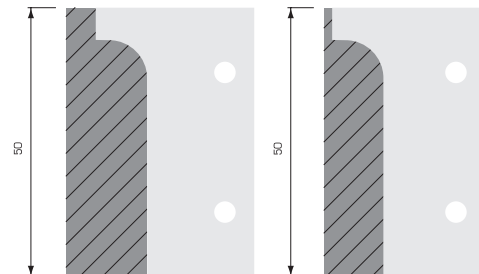
CARBIDE KNIVES	BACKING PLATES	MAXIMUM PROFILE DEPTH t-max MM
DIMENSIONS B x H x T	DIMENSIONS B x H x T	
40 x 30 x 2	39 x 28 x 4	11
40 x 35 x 2	39 x 33 x 4	15
50 x 30 x 2	49 x 28 x 4	11
50 x 35 x 2	49 x 33 x 4	15
60 x 30 x 2	59 x 28 x 4	11
60 x 35 x 2	59 x 33 x 4	15



**TYPE A**



**TYPE B**







**DESIGN:**

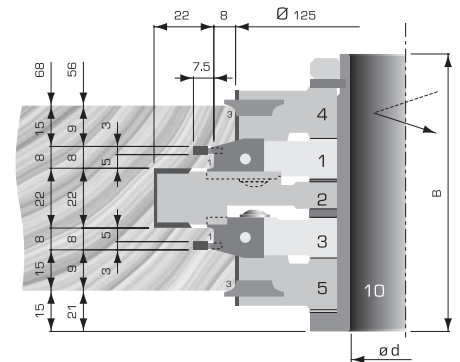
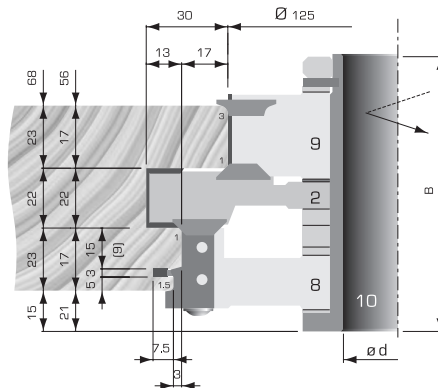
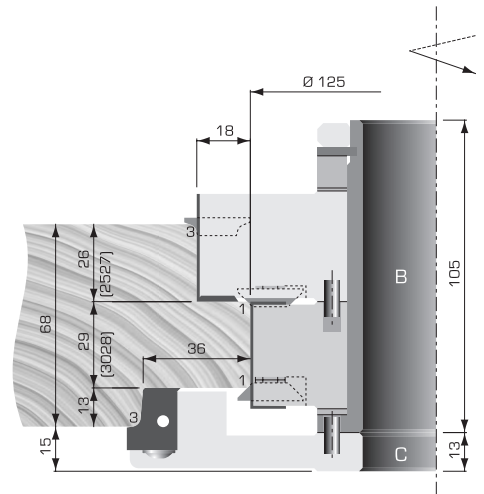
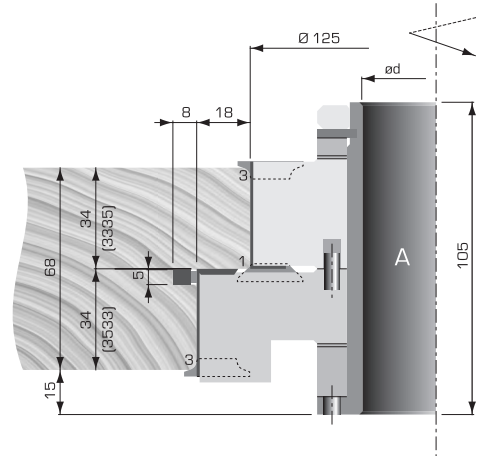
- » High tensile steel body
- » Tungsten carbide insert knives
- » Tools custom manufactured to customer's specifications

**APPLICATION:**

- » For producing window components in solid wood

**MACHINES:**

- » On moulders





**DESIGN:**

- » High tensile steel body
- » 4 straight teeth
- » Toolheads interlock and can be stacked to required cutting width
- » When stacked, the insert knives overlap each other
- » Reversible tungsten carbide insert knives with 2 cutting edges

**APPLICATION:**

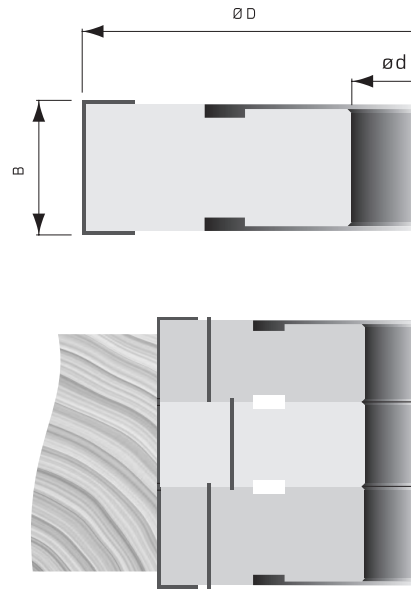
- » For surface planing, jointing, and preplaning on the first bottom spindle

**MACHINES:**

- » On moulders and four-sided planers

PART NO.	DIAM. ØD MM	KERF B MM	BORE ød MM	MAX BORE ød MM	NO. TEETH	RPM MIN-MAX
1T4742M	125	30	40	50	4	6000-11500
1T4745M	125	50	40	50	4	6000-11500

Other sizes available upon request



**REPLACEMENT PARTS**



TOOL NO.	DESCRIPTION	KNIFE	WEDGE	WEDGE SCREW	WRENCH
1T4742M	PART NO.	303000	W350007	W502402	W400115
	DIMENSIONS	30x12x1.5	26	M7x21	5mm Hex
1T4745M	PART NO.	305000	W350009	W502402	W400115
	DIMENSIONS	50x12x1.5	46	M7x21	5mm Hex



**DESIGN:**

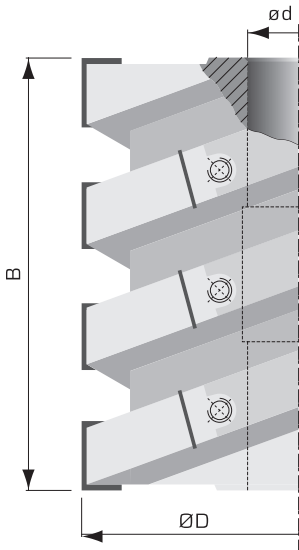
- » High tensile steel body
- » Staggered knives on a shear angle and spiral progression
- » Toolheads supplied with type "A" reversible inserts, type "B" knives for superior surface finish are available upon request
- » Reversible tungsten carbide insert knives with 2 cutting edges
- » Design of toolhead reduces noise levels

**APPLICATION:**

- » For surface planing, jointing, and preplaning on 1<sup>st</sup> bottom spindle
- » Ideal for machining curved furniture components

**MACHINES:**

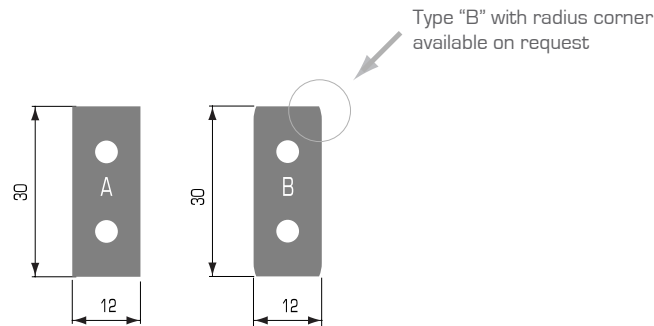
- » On shapers, moulders, and four-sided planers



PART NO.	DIAM. ØD	KERF B	BORE ød	MAX BORE ød MM	NO. TEETH	RPM MIN-MAX
1T4751I	4"	3-7/8"	1-1/4"	35	12	7500-13000
1T4752I	4"	4-51/64"	1-1/4"	35	15	7500-13000
1T4751M	125mm	99mm	40mm	50	12	6000-11000
1T4752M	125mm	122mm	40mm	50	15	6000-11000
1T4753M	125mm	145mm	40mm	50	18	6000-11000
1T4754M	125mm	191mm	40mm	50	24	6000-11000
1T4755M	125mm	228mm	40mm	50	30	6000-11000

Other sizes available upon request

Available in aluminum body, quoted upon request



**REPLACEMENT PARTS**



DESCRIPTION	KNIFE TYPE A	KNIFE TYPE B	WEDGE	WEDGE SCREW	WRENCH
PART NO.	303000	303000R	W350063	W502402	W400115
DIMENSIONS	30x12x1.5	30x12x1.5	26	M7x21	5mm Hex



**DESIGN:**

- » Surface treated steel or aluminum body
- » Helical toolhead with 4, 6, or 8 helices
- » Spiral and staggered design enables heavy stock removal with or against the wood grain
- » Toolheads can be custom made with spurs on one or both sides for tenoning and rabbet cuts (quoted upon request)
- » Reversible tungsten carbide inserts with 4 cutting edges

**APPLICATION:**

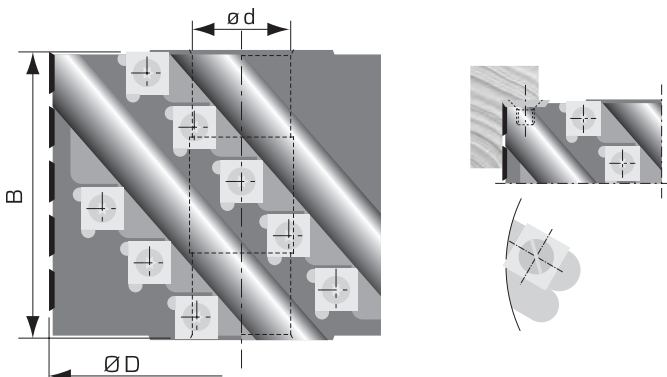
- » For surface planing, jointing, and preplaning in solid wood on the 1st bottom spindle
- » Ideal for machining curved furniture components

**MACHINES:**

- » On shapers, double-end tenoners, surface planers, and moulders

STEEL BODY PART NO.	ALUMINUM BODY PART NO.	DIAM. ØD MM	KERF B MM	BORE ød	MAX BORE ød MM	NO. HELICES	NO. INSERT KNIVES	RPM MIN-MAX
1T47601	1T47701	80	89	1-1/4"	35	4	14	9500-16000
1T47603	1T47703	100	102	1-1/4"	40	4	16	7500-13000
1T47605	1T47705	125	102	40mm	60	4	16	6000-10000
1T47606	1T47706	125	127	40mm	60	4	20	6000-10000
1T47607	1T47707	125	151.5	40mm	60	4	24	6000-10000
1T47608	1T47708	125	177	40mm	60	4	28	6000-10000
1T47609	1T47709	125	227	40mm	60	4	36	6000-10000
1T47610	1T47710	125	102	40mm	60	6	27	6000-10000
1T47611	1T47711	125	127	40mm	60	6	30	6000-10000
1T47612	1T47712	125	151.5	40mm	60	6	36	6000-10000
1T47613	1T47713	125	177	40mm	60	6	42	6000-10000
1T47614	1T47714	125	227	40mm	60	6	54	6000-10000
1T47615	1T47715	140	102	40mm	60	6	27	5500-9500
1T47616	1T47716	140	127	40mm	60	6	30	5500-9500
1T47617	1T47717	140	151.5	40mm	60	6	36	5500-9500
1T47618	1T47718	140	177	40mm	60	6	42	5500-9500
1T47619	1T47719	140	227	40mm	60	6	54	5500-9500
1T47620	1T47720	140	102	40mm	60	8	32	5500-9500
1T47621	1T47721	140	127	40mm	60	8	40	5500-9500
1T47622	1T47722	140	151.5	40mm	60	8	48	5500-9500
1T47623	1T47723	140	177	40mm	60	8	56	5500-9500
1T47624	1T47724	140	227	40mm	60	8	72	5500-9500

Other sizes available upon request up to a maximum diameter of 300mm and 4, 6, 8, or 10 helices



**REPLACEMENT PARTS**



DESCRIPTION	KNIFE	KNIFE SCREW	WRENCH
PART NO.	301404	W500003	W400420
DIMENSIONS	14x14x2.0	M5x14	T20 Torx



**DESIGN:**

- » Surface treated steel or aluminum body
- » Helical toolhead with 4, 6, or 8 helices
- » Spiral and staggered design along with rounded corner reversible inserts provide superior surface finish
- » Toolheads can be custom made with spurs on one or both sides for tenoning and rabbet cuts (quoted upon request)
- » Reversible tungsten carbide inserts with 4 rounded edges and 4 radiused corners (see drawing)

**APPLICATION:**

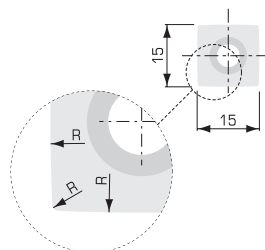
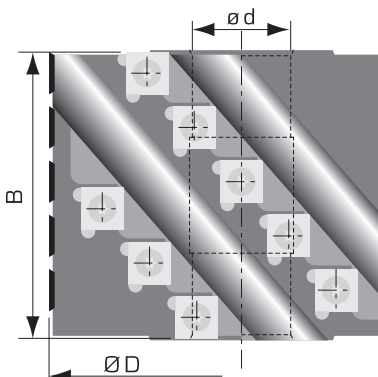
- » For surface planing, jointing, and preplaning in solid wood

**MACHINES:**

- » On shapers, double-end tenoners, surface planers, and moulders

STEEL BODY PART NO.	ALUMINUM BODY PART NO.	DIAM. ØD MM	KERF B MM	BORE ød	MAX BORE ød MM	NO. HELICES	NO. INSERT KNIVES	RPM MIN-MAX
1T48001	1T48101	80	83	1-1/4"	35	4	18	9500-16000
1T48003	1T48103	100	102	1-1/4"	40	4	20	7500-13000
1T48005	1T48105	125	102	40mm	60	4	20	6000-10000
1T48006	1T48106	125	131	40mm	60	4	26	6000-10000
1T48007	1T48107	125	150	40mm	60	4	30	6000-10000
1T48008	1T48108	125	179	40mm	60	4	36	6000-10000
1T48009	1T48109	125	227	40mm	60	4	46	6000-10000
1T48010	1T48110	125	102	40mm	60	6	30	6000-10000
1T48011	1T48111	125	131	40mm	60	6	39	6000-10000
1T48012	1T48112	125	150	40mm	60	6	45	6000-10000
1T48013	1T48113	125	179	40mm	60	6	54	6000-10000
1T48014	1T48114	125	227	40mm	60	6	69	6000-10000
1T48015	1T48115	140	102	40mm	60	6	30	5500-9500
1T48016	1T48116	140	131	40mm	60	6	39	5500-9500
1T48017	1T48117	140	150	40mm	60	6	45	5500-9500
1T48018	1T48118	140	179	40mm	60	6	54	5500-9500
1T48019	1T48119	140	227	40mm	60	6	69	5500-9500
1T48020	1T48120	140	102	40mm	60	8	40	5500-9500
1T48021	1T48121	140	131	40mm	60	8	52	5500-9500
1T48022	1T48122	140	150	40mm	60	8	60	5500-9500
1T48023	1T48123	140	179	40mm	60	8	72	5500-9500
1T48024	1T48124	140	227	40mm	60	8	92	5500-9500

Other sizes available upon request up to a maximum diameter of 300mm and 4, 6, 8, or 10 helices



RADIUS INSERT

**REPLACEMENT PARTS**



DESCRIPTION	KNIFE	KNIFE SCREW	WRENCH
PART NO.	301525	W500003	W400420
DIMENSIONS	15x15x2.0	M5x14	T20 Torx



**DESIGN:**

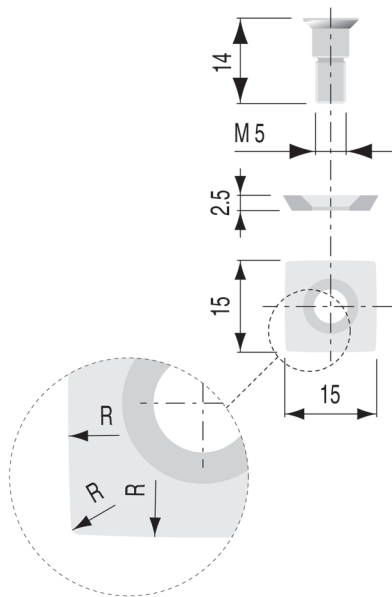
- » Aluminum body (steel body quoted on request)
- » Helical toolhead with 4, 6, or 8 helices
- » Spiral and staggered design along with rounded corner reversible inserts provide superior surface finish
- » Axial alignment of the knives for reduced cutting pressure
- » Suitable for high feed rates

**APPLICATION:**

- » For surface planing, jointing, and preplaning in solid wood

**MACHINES:**

- » On shapers, double-end tenoners, surface planers, and moulders



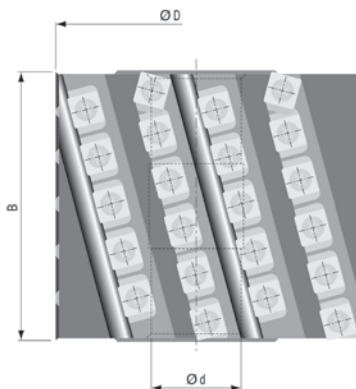
ALUMINUM BODY PART NO.	DIAM. ØD MM	KERF B MM	BORE ød	NO. HELICES	NO. INSERT KNIVES	MAX RPM
1T49001	70	80	25	4	14	19000
1T49003	80	80	30 (-35)	4	14	16700
1T49005	100	100	30 (-40)	4	18	13300
1T49007	125	100	40 (-60)	4	18	10600
1T49008	125	130	40 (-60)	4	26	10600
1T49009	125	180	40 (-60)	4	32	10600
1T49010	125	230	40 (-60)	4	40	10600
1T49011	125	100	40 (-60)	6	27	10600
1T49012	125	130	40 (-60)	6	33	10600
1T49013	125	180	40 (-60)	6	48	10600
1T49014	125	230	40 (-60)	6	60	10600
1T49015	140	100	40 (-60)	6	27	9500
1T49016	140	130	40 (-60)	6	33	9500
1T49017	140	180	40 (-60)	6	48	9500
1T49018	140	230	40 (-60)	6	60	9500
1T49019	140	100	40 (-60)	8	36	9500
1T49020	140	130	40 (-60)	8	44	9500
1T49021	140	180	40 (-60)	8	64	9500
1T49022	140	230	40 (-60)	8	80	9500

Other sizes available upon request up to a maximum diameter of 300mm

Other sizes available upon request up to a maximum length of 300mm

Other sizes available upon request of 4, 6, 8, or 10 helices

Specify bore diameter when ordering



SUITABLE FOR CNC MACHINES

**REPLACEMENT PARTS**



DESCRIPTION	KNIFE	KNIFE SCREW	WRENCH
PART NO.	301525	W500003	W400420
DIMENSIONS	15x15x2.5	M5x14	T20 Torx

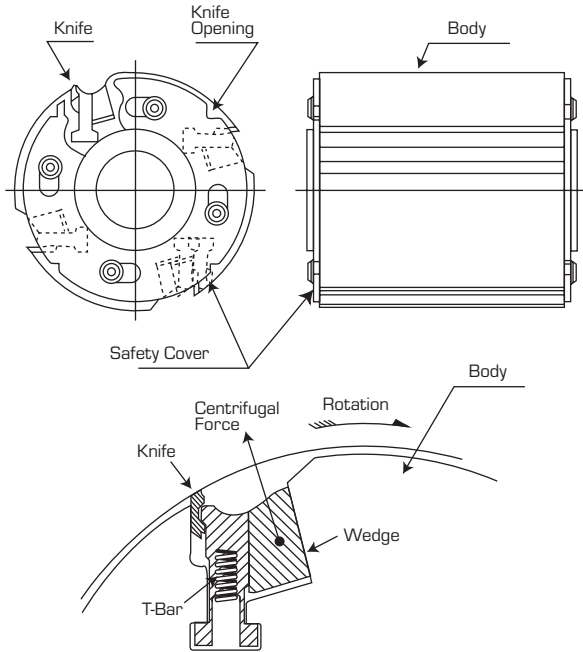


**DESIGN:**

- » High tensile steel body (aluminum body quoted on requested)
- » 4 straight teeth
- » Unique centrifugal self locking system accurately locks knives in place
- » The reversible double edged knives with unique chipbreaker design and polished edges provide an ultra smooth surface finish
- » Toolhead supplied without knives
- » Knives available in surface treated HSS and in micro-grain mirror-finish solid carbide

**APPLICATION:**

- » For surface planing and jointing in solid wood, panel materials, plastics, and cellulose



PART NO.	DIAM. ØD MM	KERF B MM	BORE ød	NO. TEETH	RPM MIN-MAX
1T46622	125	80	40mm	4	6000-8000
1T46624	125	100	40mm	4	6000-8000
1T46626	125	130	40mm	4	6000-8000
1T46628	125	150	40mm	4	6000-8000
1T46630	125	180	40mm	4	6000-8000
1T46632	125	230	40mm	4	6000-8000
1T46642	140	80	1-13/16"	4	5500-7000
1T46644	140	100	1-13/16"	4	5500-7000
1T46646	140	130	1-13/16"	4	5500-7000
1T46648	140	150	1-13/16"	4	5500-7000
1T46650	140	180	1-13/16"	4	5500-7000
1T46652	140	230	1-13/16"	4	5500-7000

Other sizes available upon request

**REPLACEMENT KNIVES**

CARBIDE KNIFE PART NO.	HSS KNIFE PART NO.	CUTTING LENGTH MM	WIDTH MM	THICKNESS MM	NO. OF KNIVES PER PACKAGE
1T466C080	1T466H080	80	8	2	12
1T466C100	1T466H100	100	8	2	12
1T466C130	1T466H130	130	8	2	12
1T466C150	1T466H150	150	8	2	12
1T466C180	1T466H180	180	8	2	12
1T466C230	1T466H230	230	8	2	12

**REPLACEMENT PARTS**

Ø125MM TOOL NO.	Ø140MM TOOL NO.	DESCRIPTION	WEDGE	T-BAR	END PLATE SCREW	GIB RELEASE PUNCH	WRENCH 3MM ALLEN
1T46622	1T46642	PART NO.	W800100	W800120	W800140	W800142	W400002
1T46624	1T46644	PART NO.	W800102	W800122	W800140	W800142	W400002
1T46626	1T46646	PART NO.	W800104	W800124	W800140	W800142	W400002
1T46628	1T46648	PART NO.	W800106	W800126	W800140	W800142	W400002
1T46630	1T46650	PART NO.	W800108	W800128	W800140	W800142	W400002
1T46632	1T46652	PART NO.	W800110	W800130	W800140	W800142	W400002

**DESIGN:**

- » High tensile steel body
- » 2 straight teeth and 2 spurs
- » Reversible tungsten carbide inserts with 2 cutting edges on the straight knives and 4 cutting edges on the spurs

**APPLICATION:**

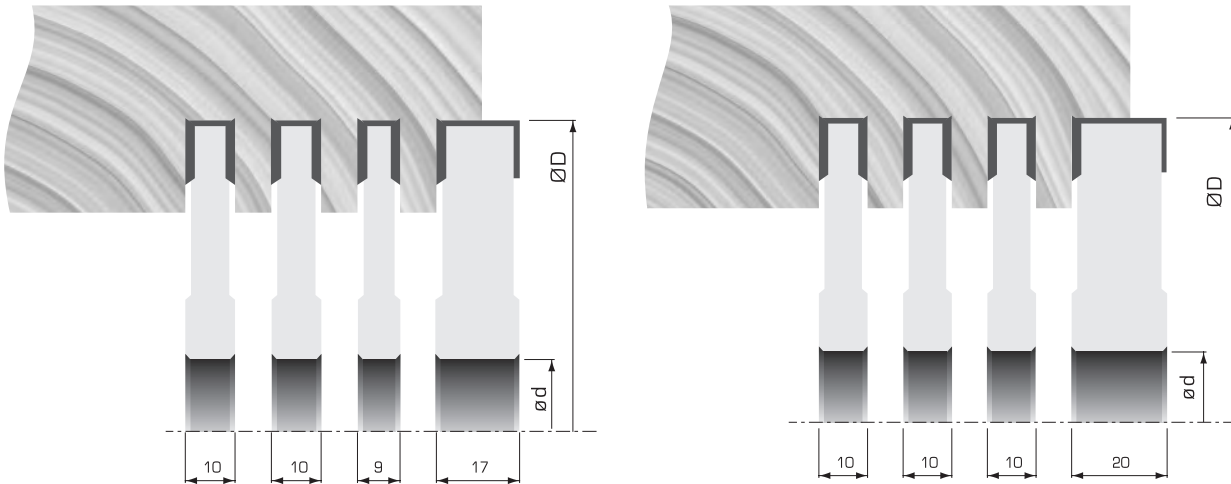
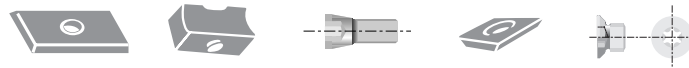
- » For cutting guide grooves in solid wood

**MACHINES:**

- » On moulders with grooved machine bed

PART NO.	DIAM. ØD MM	KERF B MM	BORE ød MM	MAX BORE ød MM	NO. TEETH	NO. SPURS	RPM MIN-MAX
1T4901M	125	9	40	50	2	2	6000-11500
1T4902M	125	10	40	50	2	2	6000-11500
1T4903M	125	17	40	50	2	2	6000-11500
1T4904M	125	20	40	50	2	2	6000-11500

Other sizes available upon request

**REPLACEMENT PARTS**

TOOL NO.	DESCRIPTION	KNIFE	WEDGE	WEDGE SCREW	SPUR	SPUR SCREW	WEDGE WRENCH	SPUR WRENCH
1T4901M	PART NO.	300860	W350021	W502403	301404	W500002	W400420	W400405
	DIMENSIONS	8.6x12x1.5	6.8	M5x18	14x14x2	M5x7	T20 Torx	T15 Torx
1T4902M	PART NO.	300960	W350022	W502403	301404	W500002	W400420	W400405
	DIMENSIONS	9.6x12x1.5	7.6	M5x18	14x14x2	M5x7	T20 Torx	T15 Torx
1T4903M	PART NO.	301700	W350017	W502403	301404	W500002	W400420	W400405
	DIMENSIONS	11.6x12x1.5	14	M5x18	14x14x2	M5x7	T20 Torx	T15 Torx
1T4904M	PART NO.	302000	W350005	W502402	301404	W500002	W400115	W400405
	DIMENSIONS	20x12x1.5	16	M7x21	14x14x2	M5x7	5mm Hex	T15 Torx

**DESIGN:**

- » High tensile steel body
- » 2 or 4 teeth and 2 or 4 spurs
- » Set of cutters mounted on sleeves and adjustable by spacers and shims to produce a variety of tongue and groove profiles. See details on pages D48-D49
- » Toolheads sold individually, for profile selection refer to pages D48-D49
- » Tungsten carbide inserts with 2 or 4 cutting edges

**APPLICATION:**

- » For producing various tongue and groove profiles in solid wood and panel materials

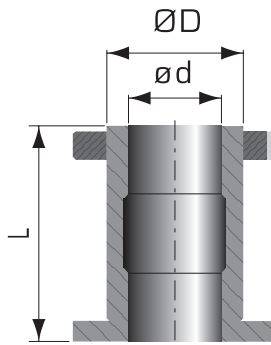
**MACHINES:**

- » On moulders

For profile selection, see pages D48-D49

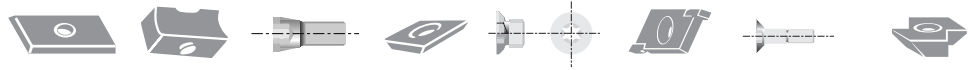
PART NO.	TOOL TYPE	DIAM. ØD MM	KERF B MM	BORE ØD MM	NO. TEETH	NO. SPURS	NO. GROOVING INSERTS	NO. CHAMFERING INSERTS	RPM MIN-MAX
1T2511M	1	140	15	50	4	2	-	-	5500-10000
1T2512M	2	140	15	50	4	2	-	-	5500-10000
1T2513M	3	127	12	50	2	-	-	2	5800-10000
1T2514M	4	155	20	50	4	-	2	-	4900-10000
1T2515M	5	155	20	50	4	-	2	-	4900-10000
1T2516M	6	139	15	50	4	2	-	-	5500-10000
1T2517M	7	175	15	50	4	2	-	-	4400-8000
1T2518M	8	155	20	50	4	-	2	-	4900-9000
1T2519M	9	160	15	50	4	2	-	-	4800-9000
1T25110M	10	155	20	50	4	-	2	-	4900-9000
1T25111M	11	168	20	50	4	-	2	-	4500-9500
1T25112M	12	149	15	50	4	2	-	-	5100-9500
1T25113M	13	168	20	50	4	-	2	-	4500-8500
1T25114M	14	168	20	50	4	-	2	-	4500-8500
1T25115M	15	154	12	50	2	-	-	-	4900-9000
1T25116M	16	154	12	50	2	-	-	-	4900-9000

Other sizes available upon request

**MECHANICAL SLEEVES**

ROTATION		PART NO.	ØD x L x ød
RH		W05950105114R	50mm x 105 x 1-1/4"
		W05950105112R	50mm x 105 x 1-1/2"
		W05950105040R	50mm x 105 x 40mm
LH		W05950105114L	50mm x 105 x 1-1/4"
		W05950105112L	50mm x 105 x 1-1/2"
		W05950105040L	50mm x 105 x 40mm

## REPLACEMENT PARTS



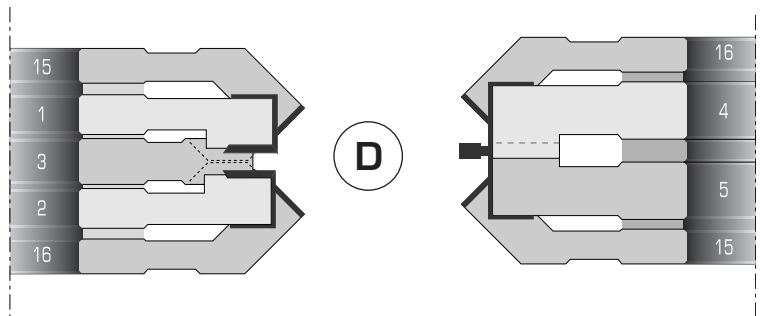
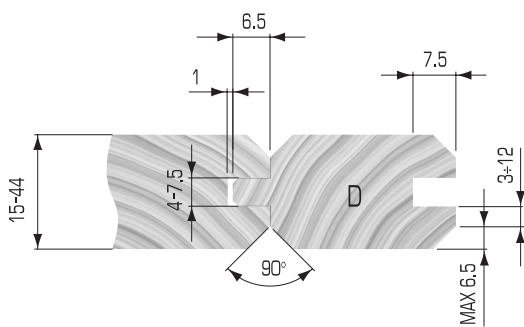
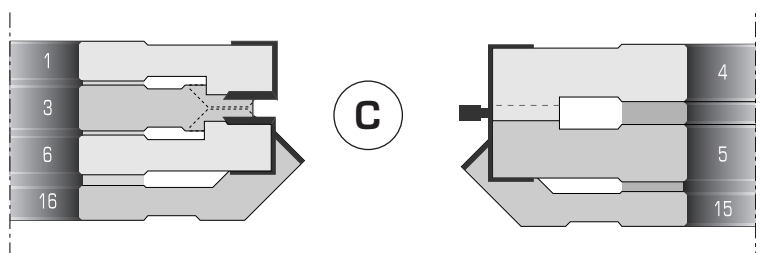
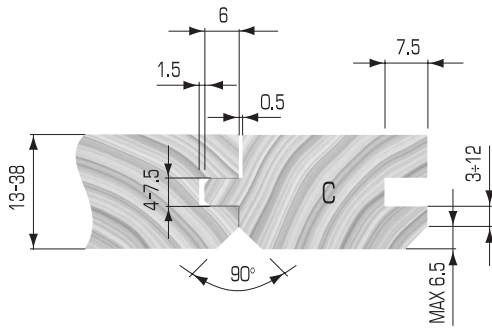
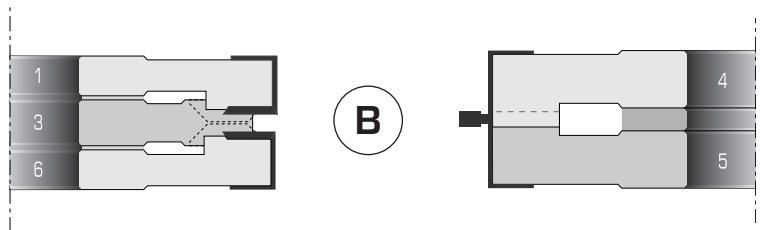
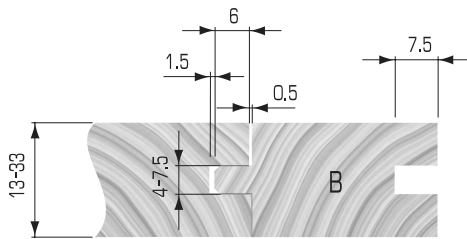
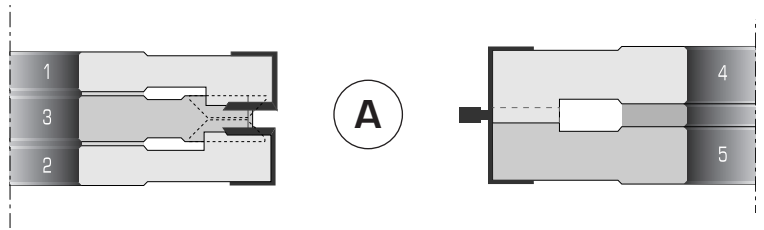
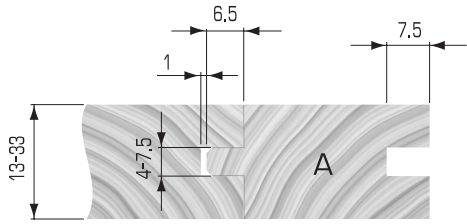
TOOL TYPE	DESCRIPTION	KNIFE	WEDGE	WEDGE SCREW	SPUR	SPUR SCREW	GROOVING INSERT	GROOVING/CHAMFER SCREW	CHAMFER INSERT RH / LH
1, 2, 6	PART NO.	301500	W350004	W502404	301404	W500002	-	-	-
	DIMENSIONS	15x12x1.5	11	M7x19	14x14x2	M5x7	-	-	-
7, 9, 12	PART NO.	301500	W350004	W502402	301404	W500002	-	-	-
	DIMENSIONS	15x12x1.5	11	M7x21	14x14x2	M5x7	-	-	-
3	PART NO.	301200	W350023	W502403	-	-	-	W500201	30600601 (RH) 30600602 (LH)
	DIMENSIONS	12x12x1.5	9	M5x18	-	-	-	M6x12	27x6x14
4 •	PART NO.	302000	W350005	W502402	-	-	307806	W500205	-
	DIMENSIONS	20x12x1.5	16	M7x21	-	-	37x4x16	M6x15	-
5, 8, 10 Δ	PART NO.	302000	W350005	W502402	-	-	307806	W500205	-
	DIMENSIONS	20x12x1.5	16	M7x21	-	-	37x4x16	M6x15	-
13, 14	PART NO.	302000	W350005	W502402	-	-	307810	W500205	-
	DIMENSIONS	20x12x1.5	16	M7x21	-	-	48x4x16	M6x15	-
11	PART NO.	302000	W350005	W502402	-	-	307831	W500205	-
	DIMENSIONS	20x12x1.5	16	M7x21	-	-	60x4x16	M6x15	-
15, 16	PART NO.	301200	W350023	W502403	-	-	-	-	-
	DIMENSIONS	12x12x1.5	9	M5x18	-	-	-	-	-

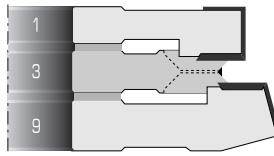
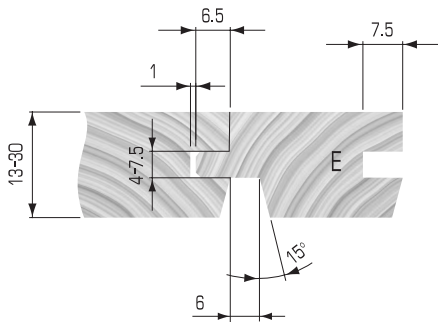
• Tool Type 4 manufactured prior to 2015 requires grooving insert 307809 (dimensions: 48x4x16)

Δ Tool Type 5, 8, and 10 manufactured prior to 2015 requires grooving insert 307810 (dimensions: 48x4x16)

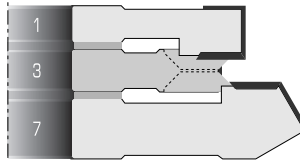
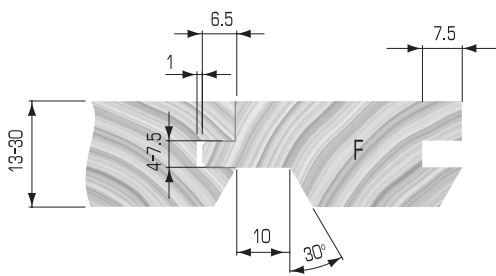
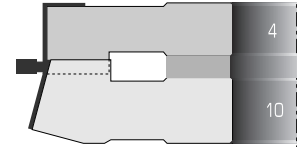
## SCREWS AND WRENCHES

COMPONENT TYPE	COMPONENT PART NO.	DESCRIPTION	WRENCH
WEDGE	W350004	PART NO.	W400115
		DIMENSIONS	5mm Hex
	W350005	PART NO.	W400115
		DIMENSIONS	5mm Hex
	W350023	PART NO.	W400420
		DIMENSIONS	T20 Torx
SPUR SCREW	W500002	PART NO.	W400405
		DIMENSIONS	T15 Torx
GROOVING SCREW	W500201	PART NO.	W400114
		DIMENSIONS	4mm Hex
	W500205	PART NO.	W400114
		DIMENSIONS	4mm Hex
CHAMFER SCREW	W500201	PART NO.	W400114
		DIMENSIONS	4mm Hex

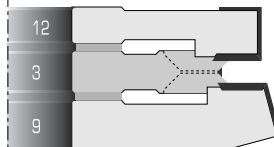
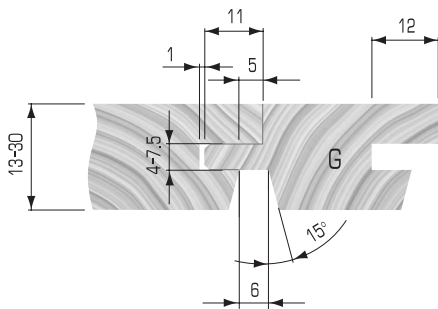
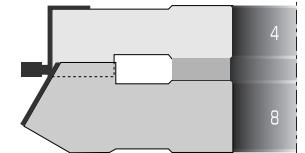




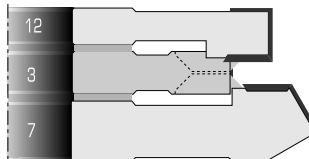
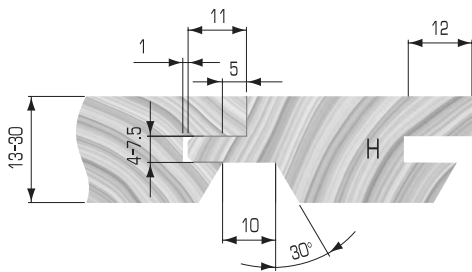
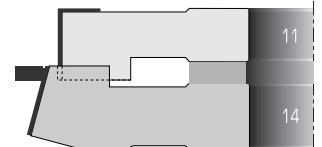
E



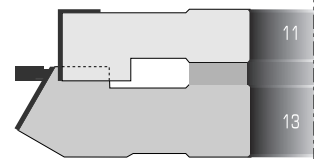
F



G



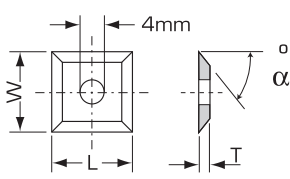
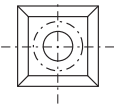
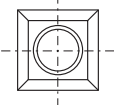
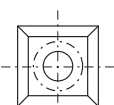
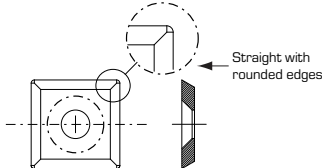
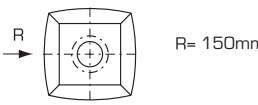
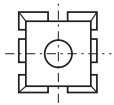
H


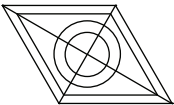

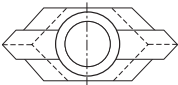



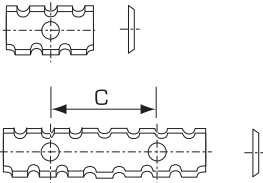


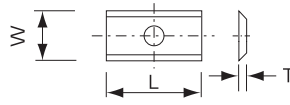
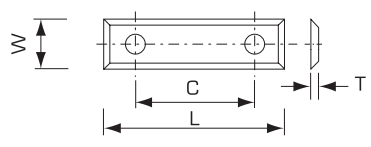
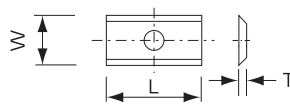
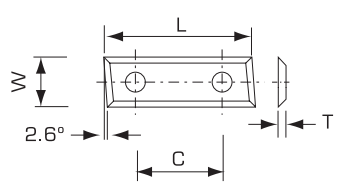
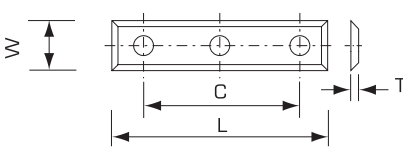
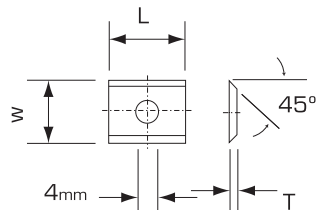
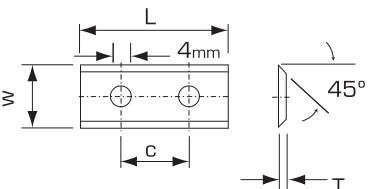
**35° BACK ANGLE - 2 CUTTING EDGES**

DRAWING	K05 GRADE PART NO.	XL4000 GRADE EXTENDED LIFE PART NO.	SCREW HOLE Ø MM	LENGTH L MM	WIDTH W MM	THICKNESS T MM	DIMENSION C MM	
	300600	-	2.5	6.0	12	1.5	-	
	300800	-	4	7.5	12	1.5	-	
	300860	-	4	8.6	12	1.5	-	
	300920	-	4	9.2	12	1.5	-	
	300960	-	4	9.6	12	1.5	-	
	301050	-	4	10.5	12	1.5	-	
	301100	-	4	11.0	12	1.5	-	
	301160	-	4	11.6	12	1.5	-	
	301230	-	4	12.3	12	1.5	-	
	301300	-	4	13.0	12	1.5	-	
	301500	-	4	15.0	12	1.5	-	
	301570	-	4	15.7	12	1.5	-	
	301700	-	4	17.0	12	1.5	-	
	301800	-	4	18.0	12	1.5	-	
	301900	-	4	19.0	12	1.5	-	
302000	302000XL	4	20.0	12	1.5	-		
302500	-	4	25.0	12	1.5	-		
	302501	-	4	25.0	12	1.5	14	
	303000	303000XL	4	30.0	12	1.5	14	
	304000	-	4	40.0	12	1.5	26	
	305000	305000XL	4	50.0	12	1.5	26	
	306000	-	4	60.0	12	1.5	26	
	308000	-	4	80.0	13	2.2	60	
	310000	-	4	100.0	13	2.2	60	
	312000	-	4	120.0	13	2.2	60	
	LEFT-HAND	RIGHT-HAND						
	303020	303021	-	4	29.5	12	1.5	14
	305020	305021	-	4	49.5	12	1.5	26
	LEFT-HAND	RIGHT-HAND						
	303030	303031	-	4	29.5	12	1.5	14
	305030	305031	-	4	49.5	12	1.5	26

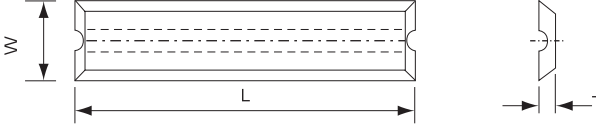
## 4 CUTTING EDGES

DRAWING	K05 GRADE PART NO.	XL4000 GRADE EXTENDED LIFE PART NO.	SCREW HOLE $\varnothing$ MM	LENGTH L MM	WIDTH W MM	THICKNESS T MM	BACK ANGLE $\alpha$
	301051	-	4	10.5	10.5	1.5	35°
	301200	301200XL	4	12.0	12.0	1.5	35°
	301301	-	4	13.0	13.0	2.5	35°
	301701	-	4	17.0	17.0	2.0	35°
	301901	-	4	19.0	19.0	2.0	35°
	301052	-	-	10.5	10.5	1.5	35°
	301360	-	-	13.6	13.6	2.0	30°
	301361	-	-	13.6	13.6	2.0	45°
	301414	-	-	14.0	14.0	1.2	30°
	301424	-	-	14.0	14.0	1.7	30°
	301404	301404XL	-	14.0	14.0	2.0	30°
 <p>For Holz-Her system</p>	301414-H	-	-	14.0	14.0	1.2	30°
	301430	-	-	14.3	14.3	2.5	35°
	301460	-	-	14.6	14.6	2.5	30°
	301515	-	-	15.0	15.0	2.5	30°
 <p>Straight with rounded edges</p>	301405	-	-	14.0	14.0	2.0	30°
	301520	-	-	15.0	15.0	2.5	30°
 <p>R=150mm</p>	301525	-	-	15.0	15.0	2.5	30°
	301505	-	-	15.0	15.0	2.0	35°

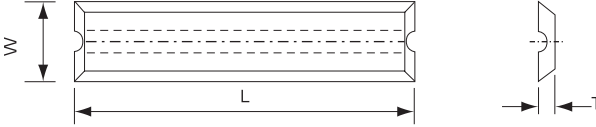
DRAWING	K05 GRADE PART NO.	LENGTH L MM	WIDTH W MM	THICKNESS T MM	DIMENSION C MM	BACK ANGLE $\alpha$
	320201	22.0	19.0	2.0	-	30°
	320101	28	16	2.0	-	30°
	320301	18.0	18.0	1.95	-	-
	320302	18.0	18.0	2.45	-	-
	320303	18.0	18.0	2.95	-	-
	320305	18.0	18.0	3.70	-	-
	320401	18.9	7.9	4.0	-	-
	320501	18.0	6.0	3.5	-	-
	320601	33.5	3.0	-	-	-
	320701	18.5	-	3.25	-	30°
	320802	20.0	12.0	1.5	-	-
	320803	30.0	12.0	1.5	14.0	-
	320805	50.0	12.0	1.5	26.0	-

DRAWING	K05 GRADE PART NO.	NO. CUTTING EDGES	LENGTH L MM	WIDTH W MM	THICKNESS T MM	DIMENSION C MM	BACK ANGLE $\alpha$
	302010	2	20.0	9.0	1.5	-	-
	302012	2	19.50	12.0	1.5	-	-
	302810	4	28.0	7.0	1.5	14	-
	303010	4	29.5	9.0	1.5	14	-
	303012	4	29.5	12.0	1.5	14	-
	304010	4	39.5	9.0	1.5	26	-
	304012	4	39.5	12.0	1.5	26	-
	305010	4	49.5	9.0	1.5	26	-
	305012	4	49.5	12.0	1.5	26	-
	300906	2	10.0	9.5	1.5	-	-
	301006	2	10.0	10.5	1.5	-	-
	303009	4	29.5	9.0	1.5	14	-
	303022	4	29.5	12.0	1.5	14	-
	304009	4	39.5	9.0	1.5	26	-
	304022	4	39.5	12.0	1.5	26	-
	305009	4	49.5	9.0	1.5	26	-
	305022	4	49.5	12.0	1.5	26	-
	305025	4	50.0	12.0	1.7	37	-
	307545	2	7.5	12.0	1.5	-	45°
	309645	2	9.6	12.0	1.5	-	45°
	301545	2	15.0	12.0	1.5	-	45°
	302045	2	20.0	12.0	1.5	-	45°
	303045	2	30.0	12.0	1.5	14	45°
	304045	2	40.0	12.0	1.5	26	45°
	305045	2	50.0	12.0	1.5	26	45°
	306045	2	60.0	12.0	1.5	26	45°
	301245	4	12.0	12.0	1.5	-	45°

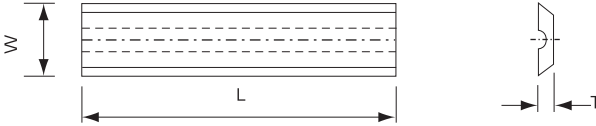
**C4 GRADE MICRO GRAIN MIRROR FINISH**

 <p>4 CUTTING EDGES FACE GROOVE</p>	PART NO.	LENGTH L MM	WIDTH W MM	THICKNESS T MM
	300911M	9.0	9.0	1.5
301211M	12.0	5.5	1.1	
301511M	15.0	5.5	1.1	
302011M	20.0	5.5	1.1	
302511M	25.0	5.5	1.1	
303011M	30.0	5.5	1.1	
303511M	35.0	5.5	1.1	
304011M	40.0	5.5	1.1	
304511M	45.0	5.5	1.1	
305011M	50.0	5.5	1.1	
306011M	60.0	5.5	1.1	

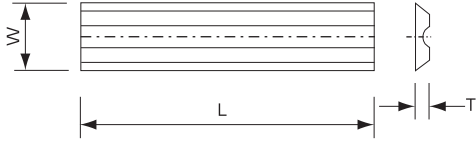
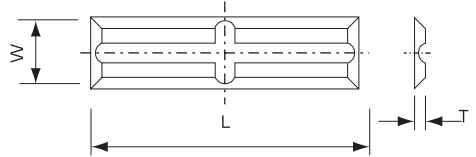
**K05 GRADE STANDARD FINISH**

 <p>4 CUTTING EDGES FACE GROOVE</p>	PART NO.	LENGTH L MM	WIDTH W MM	THICKNESS T MM
	303011S	30.0	5.5	1.1
303511S	35.0	5.5	1.1	
304011S	40.0	5.5	1.1	
304511S	45.0	5.5	1.1	
305011S	50.0	5.5	1.1	
306011S	60.0	5.5	1.1	

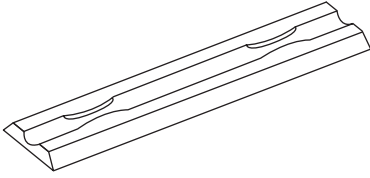
**K05 GRADE STANDARD FINISH**

 <p>2 CUTTING EDGES FACE GROOVE</p>	PART NO.	LENGTH L MM	WIDTH W MM	THICKNESS T MM
	301211	12.0	5.5	1.1
301511	15.0	5.5	1.1	
302011	20.0	5.5	1.1	
303011	30.0	5.5	1.1	
304011	40.0	5.5	1.1	
305011	50.0	5.5	1.1	
306011	60.0	5.5	1.1	

**K05 GRADE STANDARD FINISH**

 <b>2 CUTTING EDGES</b> <b>BACK GROOVE</b>	<b>PART NO.</b>	<b>LENGTH L MM</b>	<b>WIDTH W MM</b>	<b>THICKNESS T MM</b>	
		<b>341211</b>	12.0	5.5	1.1
	<b>342011</b>	20.0	5.5	1.1	
	<b>343011</b>	30.0	5.5	1.1	
	<b>345011</b>	50.0	5.5	1.1	
 <b>4 CUTTING EDGES</b> <b>BACK AND CROSS-GROOVE</b>					
		<b>352010</b>	20.0	4.1	1.1
		<b>352011</b>	20.0	5.5	1.1
		<b>352511</b>	25.0	5.5	1.1
		<b>353011</b>	30.0	5.5	1.1
		<b>354011</b>	40.0	5.5	1.1
	<b>355011</b>	50.0	5.5	1.1	

**REVERSIBLE KNIVES FOR PORTABLE HAND-PLANERS**

	<b>PART NO.</b>	<b>LENGTH L MM</b>	<b>WIDTH W MM</b>	<b>THICKNESS T MM</b>	<b>MACHINES</b>
		<b>305600</b>	56.0	5.5	1.1
	<b>306001</b>	60.0	5.5	1.1	WEGOMA
	<b>307500</b>	75.5	5.5	1.1	AEG, BOSCH, FESTO HAFFNER, KRESS, MAFELL, METABO SCHEER, SKIL HOLZ-HER
	<b>307570</b>	75.7	5.5	1.2	B & D
	<b>307800</b>	78.0	5.5	1.1	VIRUTEX
	<b>318000</b>	80.5	5.9	1.2	ELU
	<b>308052</b>	80.5	5.5	1.1	ELU
	<b>308200</b>	82.0	5.5	1.1	AEG, B & D, BOSCH ALLU, FEIN, FELISATTI HAFFNER, HITACHI HOLZ-HER, MAFELL MAKITA, METABO, PEUGOT, RYOBI, SKIL
	<b>308270</b>	82.7	5.5	1.2	B & D
	<b>309200</b>	92.0	5.5	1.1	AEG, HITACHI RYOBI
	<b>301020</b>	102.0	5.5	1.1	AEG

**CHAMFERING AND CORNER ROUNDING**

				PART NO.	DIMENSIONS MM	TYPE	ROTATION
				30600601	27 x 14 x 6	A	R.H.
				30600602	27 x 14 x 6	A	L.H.
				30600605	R=1.5	B	R.H.
				30600613	R=2.0	B	R.H.
				30600603	R=3.0	B	R.H.
				30600606	R=1.5	B	L.H.
				30600614	R=2.0	B	L.H.
				30600604	R=3.0	B	L.H.

**CHAMFERING AND CORNER ROUNDING (BG TEST)**

				PART NO.	DIMENSIONS MM	TYPE	ROTATION
				30600607	27 x 16 x 6	A	R.H.
				30600608	27 x 16 x 6	A	L.H.
				30600617	R=1.5	B	R.H.
				30600611	R=2.0	B	R.H.
				30600609	R=3.0	B	R.H.
				30600618	R=1.5	B	L.H.
				30600612	R=2.0	B	L.H.
				30600610	R=3.0	B	L.H.

**CHAMFERING AND CORNER ROUNDING (BG TEST)**

		PART NO.	DIMENSIONS MM	TYPE	RADIUS R MM
TYPE: A		30700501	16 x 22 x 5	A	-
		30700503	16 x 22 x 5	B	1.5
		30700504	16 x 22 x 5	B	2.0
		30700505	16 x 22 x 5	B	2.5
		30700506	16 x 22 x 5	B	3.0
		30700507	16 x 22 x 5	B	4.0
		30700508	16 x 22 x 5	B	5.0
		30700509	16 x 22 x 5	B	6.0

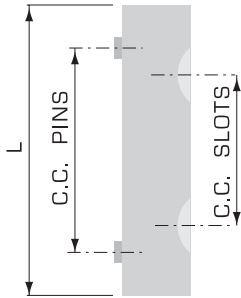
## REVERSIBLE GROOVING INSERTS - CARBIDE TIPPED

	PART NO.	DIMENSIONS MM	ROTATION
	<b>307807</b>	48 x 3.0 x 16	L.H.
<b>307808</b>	48 x 3.0 x 16	R.H.	
<b>307809</b>	48 x 4.0 x 16	L.H.	
<b>307810</b>	48 x 4.0 x 16	R.H.	
<b>307813</b>	48 x 5.0 x 16	L.H.	
<b>307814</b>	48 x 5.0 x 16	R.H.	
<b>307817</b>	48 x 6.35 x 16	L.H.	
<b>307818</b>	48 x 6.35 x 16	R.H.	
<b>307831</b>	60 x 4.0 x 16	L.H.	
<b>307832</b>	60 x 4.0 x 16	R.H.	
<b>307835</b>	60 x 5.0 x 16	L.H.	
<b>307836</b>	60 x 5.0 x 16	R.H.	

## REVERSIBLE GROOVING INSERTS - CARBIDE TIPPED

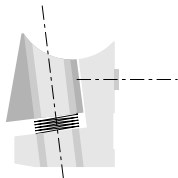
	PART NO.	DIMENSIONS MM	RADIUS (R) MM
	<b>401002</b>	16 x 17.5 x 2.0	2
<b>401003</b>	16 x 17.5 x 2.0	3	
<b>401004</b>	16 x 17.5 x 2.0	4	
<b>401005</b>	16 x 17.5 x 2.0	5	
<b>402002</b>	20 x 20.5 x 2.0	2	
<b>402003</b>	20 x 20.5 x 2.0	3	
<b>402004</b>	20 x 20.5 x 2.0	4	
<b>402005</b>	20 x 20.5 x 2.0	5	
<b>402006</b>	20 x 20.5 x 2.0	6	
	<b>402020</b>	20 x 20.5 x 2.0	$\alpha = 5^\circ$

WEDGES



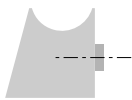
PART NO.	LENGTH MM	NO. PINS	C.C. PINS MM	NO. SLOTS	C.C. SLOTS MM
W350021	6.8	1	0	1	0
W350022	7.6	1	0	1	0
W350023	9.0	1	0	1	0
W350004	11.0	1	0	1	0
W350017	14.0	1	0	1	0
W350005	16.0	1	0	1	0
W350006	21.0	1	0	1	0
W350014	26.0	1	0	1	0
W350007	26.0	2	14	1	0
W350008	36.0	2	26	2	18
W350009	46.0	2	26	2	24
W350056	55.0	2	26	2	30
W350011	74.0	2	60	2	44
W350018	94.0	2	60	4	25

WEDGES



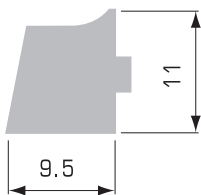
PART NO.	LENGTH MM	NO. PINS	C.C. PINS MM
W300004	18	1	0
W300037	26	1	0
W300023	46	2	26
W300024	56	2	26

WEDGES



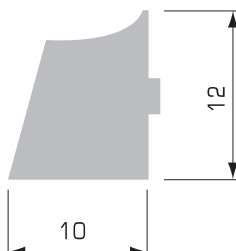
PART NO.	LENGTH MM	NO. PINS	C.C. PINS MM
W300203	13	1	0
W300204	18	1	0
W300205	28	2	14
W300206	48	2	26

WEDGES



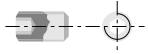
PART NO.	LENGTH MM	NO. PINS	C.C. PINS MM
W340006	15	1	0
W340026	26	2	14
W340027	31	2	18

WEDGES



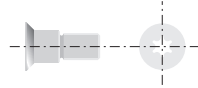
PART NO.	LENGTH MM	NO. PINS	C.C. PINS MM
W300701	14.5	1	0
W300702	27.4	2	15.3

WEDGE SCREWS



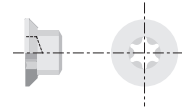
PART NO.	DIMENSIONS MM
W501313	M4x16
W501307	M5x8
W501301	M6x12
W501302	M6x16
W501316	M6x20
W501303	M8x10
W501312	M10x12
W501305	M10x20
W501309	M10x25

TORX SCREWS



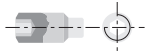
PART NO.	DIMENSIONS MM
W500003	M5x14

TORX SCREWS



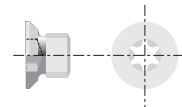
PART NO.	DIMENSIONS MM
W500002	M5x7
W500004	M5x5.1

WEDGE SCREWS



PART NO.	DIMENSIONS MM
W501415	M5x8
W501402	M6x10
W501401	M6x12
W501404	M8x20
W501410	M8x25
W501409	M10x20

TORX SCREWS



PART NO.	DIMENSIONS MM
W500401	M4x3.2
W500402	M4x4.0

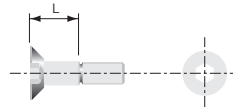
WEDGE SCREWS



PART NO.	DIMENSIONS MM
W502403*	M5x18
W502405	M7x17
W502404	M7x19
W502402	M7x21
W502401	M7x26

\* T20 TORX

HEX SCREWS



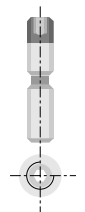
PART NO.	DIMENSIONS MM	L MM
W500205	M6x15	7.0
W500206	M6x19	11.0

HEX SCREWS



PART NO.	DIMENSIONS MM
W501702	M5x16

WEDGE SCREWS



PART NO.	DIMENSIONS MM
W500901	M6x15
W500902	M6x20
W500903	M8x22

HEX SCREWS



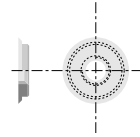
PART NO.	DIMENSIONS MM
W500605	M6x16
W500601	M8x50

**HEX SCREWS**



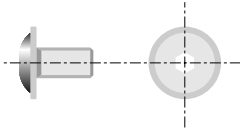
PART NO.	DIMENSIONS MM
W500201	M6x12
W500312	M16x19

**THREADED RINGS FOR SPURS**



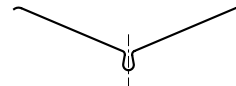
PART NO.	DIMENSIONS MM
W501001	10x1.65
W501101	12x1.7

**POSITIONING SCREWS**



PART NO.	DIMENSIONS MM
W502601	M5x10

**PLANING TOOLHEAD SPRINGS**



PART NO.	DIMENSIONS MM
W501601	25x52
W501602	36x95

**POSITIONING SCREWS**



PART NO.	DIMENSIONS MM
W500604	M5x10
W500303	16mmx3.5

**WRENCHES**



PART NO.	DIMENSIONS MM
W400501	55
W400502	65

**POSITIONING SCREWS**

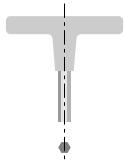


PART NO.	DIMENSIONS MM
W502604	M5x5

**KEY TYPE TORX WRENCHES**



PART NO.	DIMENSIONS MM
W400406	T8
W400401	T9
W400405	T15



**T-HANDLE  
TORX WRENCHES**

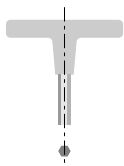
PART NO.	DIMENSIONS MM
W400420	T20
W400430	T30

**L-SHAPE  
HEX WRENCHES**

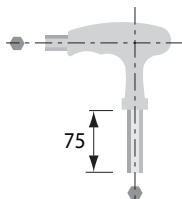


PART NO.	DIMENSIONS MM
W400001	2.5
W400002	3
W400003	4
W400004	5
W400005	6
W400006	7
W400007	8
W400008	10

**T-HANDLE  
HEX WRENCHES**



PART NO.	DIMENSIONS MM
W400101	2.5
W400113	3
W400114	4
W400115	5
W400116	6
W400117	8
W400108	10



**T-HANDLE DUAL  
ALLEN WRENCHES**

PART NO.	DIMENSIONS MM
W400113	3