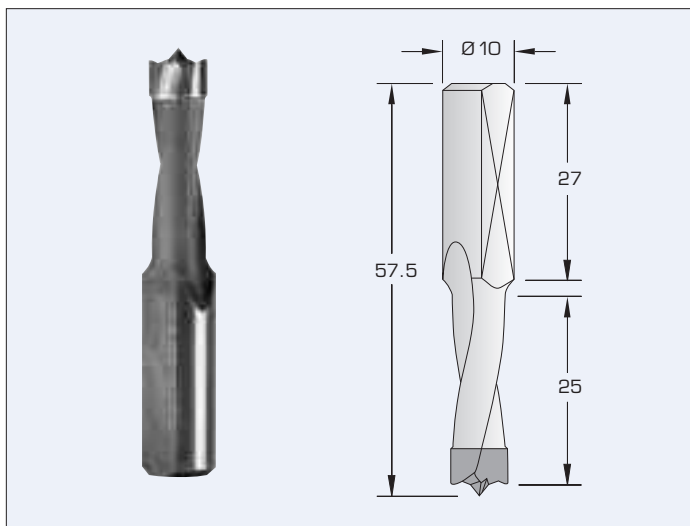


D40L

HIGH PRECISION DOWEL DRILLS FOR CHIP-FREE HOLE EDGES
SHANK 10mm DIAM. x 27mm LONG

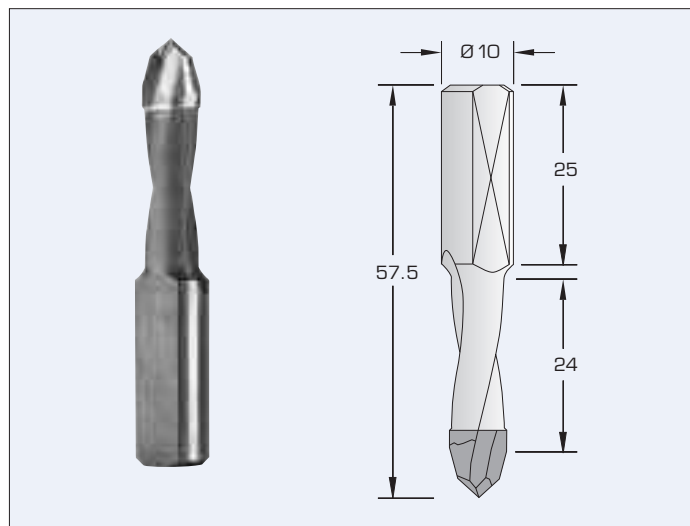


PART NO. LEFT-HAND	PART NO. RIGHT-HAND	CUTTING DIAM.	CUTTING LENGTH	OVERALL LENGTH
D40L05L	D40L05R	5	25	57.5
D40L08L	D40L08R	8	25	57.5

- High precision, new cutting geometry for chip-free hole edges
- Tool life increased up to 10 times compared to traditional dowel drills

D40N

HIGH PRECISION THROUGH HOLE DRILL BITS
SHANK 10mm DIAM. x 25mm LONG

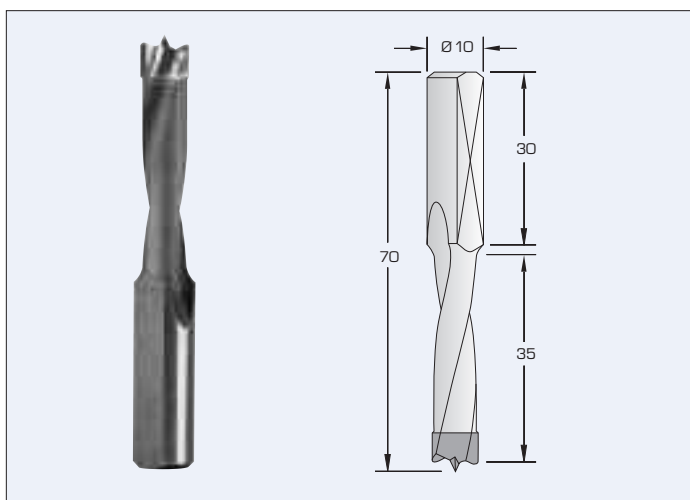


PART NO. LEFT-HAND	PART NO. RIGHT-HAND	CUTTING DIAM.	CUTTING LENGTH	OVERALL LENGTH
D40N05L	D40N05R	5	24	57.5
D40N08L	D40N08R	8	24	57.5

- High precision, new cutting geometry for virtually chip-free through holes
- Tool life increased up to 10 times compared to traditional through hole drill bits

D40M

HIGH PRECISION DOWEL DRILLS FOR CHIP-FREE HOLE EDGES
SHANK 10mm DIAM. x 30mm LONG

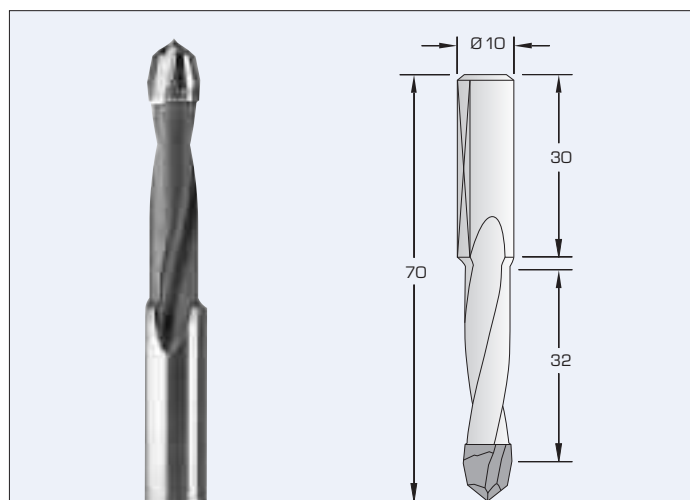


PART NO. LEFT-HAND	PART NO. RIGHT-HAND	CUTTING DIAM.	CUTTING LENGTH	OVERALL LENGTH
D40M05L	D40M05R	5	35	70
D40M08L	D40M08R	8	35	70
D40M10L	D40M10R	10	35	70

- High precision, new cutting geometry for chip-free hole edges
- Tool life increased up to 10 times compared to traditional dowel drills

D40Y

HIGH PRECISION THROUGH HOLE DRILL BITS
SHANK 10mm DIAM. x 30mm LONG

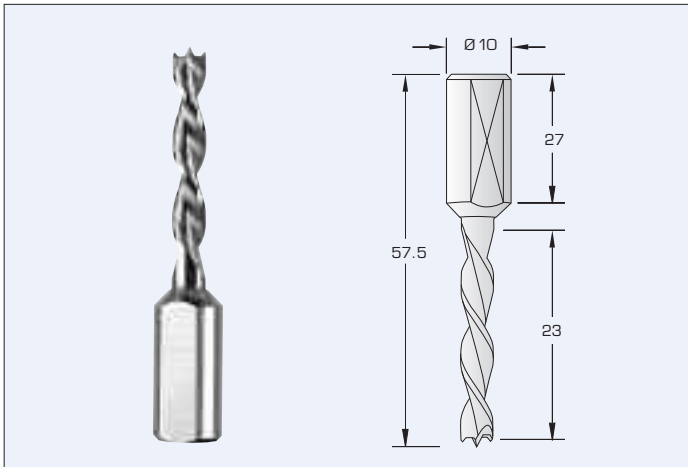


PART NO. LEFT-HAND	PART NO. RIGHT-HAND	CUTTING DIAM.	CUTTING LENGTH	OVERALL LENGTH
D40Y05L	D40Y05R	5	32	70
D40Y08L	D40Y08R	8	32	70

- High precision, new cutting geometry for virtually chip-free through holes
- Tool life increased up to 10 times compared to traditional through hole drill bits

D45L

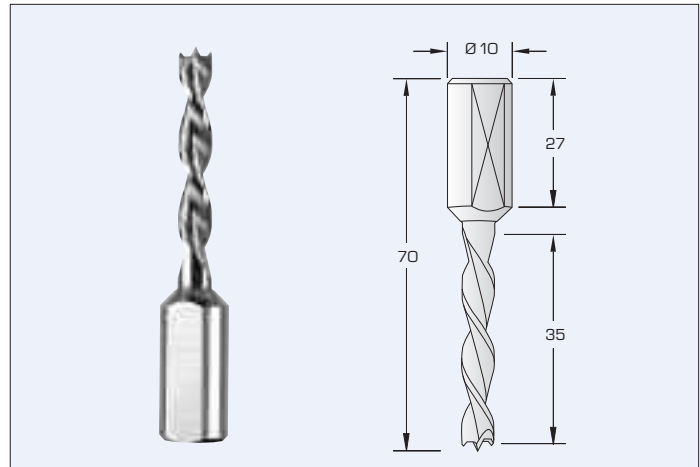
**SOLID CARBIDE
SPECIAL DOWEL DRILL BITS
SHANK 10mm DIAM. x 27mm LONG**



PART NO. LEFT-HAND	PART NO. RIGHT-HAND	CUTTING DIAM.	CUTTING LENGTH	OVERALL LENGTH
D45L03L *	D45L03R *	3	13	57.5
D45L04L	D45L04R	4	23	57.5
D45L05L	D45L05R	5	23	57.5
D45L06L	D45L06R	6	23	57.5
D45L08L	D45L08R	8	23	57.5
D45L10L	D45L10R	10	23	57.5
D45L12L	D45L12R	12	23	57.5

D45M

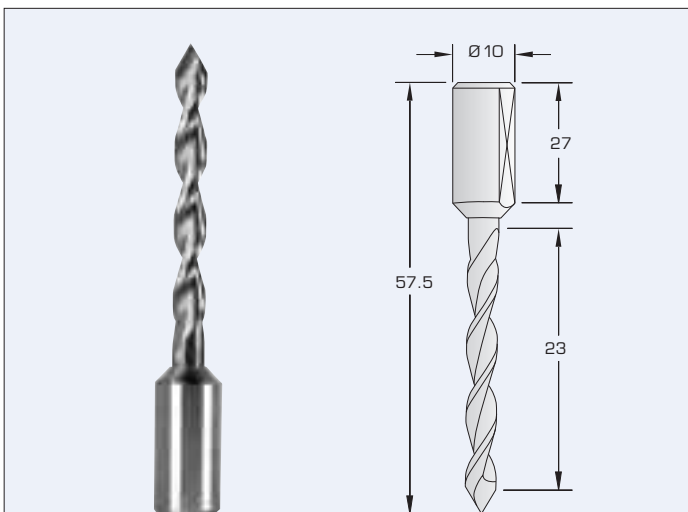
**SOLID CARBIDE
SPECIAL DOWEL DRILL BITS
SHANK 10mm DIAM. x 27mm LONG**



PART NO. LEFT-HAND	PART NO. RIGHT-HAND	CUTTING DIAM.	CUTTING LENGTH	OVERALL LENGTH
D45M04L	D45M04R	4	35	70
D45M05L	D45M05R	5	35	70
D45M06L	D45M06R	6	35	70
D45M08L	D45M08R	8	35	70
D45M10L	D45M10R	10	35	70
D45M12L	D45M12R	12	35	70

D45N

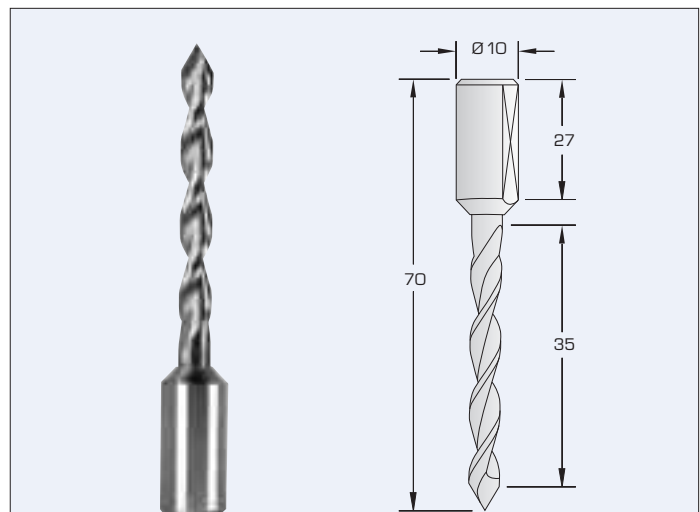
**SOLID CARBIDE
SPECIAL THROUGH HOLE DRILL BITS
SHANK 10mm DIAM. x 27mm LONG**



PART NO. LEFT-HAND	PART NO. RIGHT-HAND	CUTTING DIAM.	CUTTING LENGTH	OVERALL LENGTH
D45N03L	D45N03R	3	23	57.5
D45N04L	D45N04R	4	23	57.5
D45N05L	D45N05R	5	23	57.5
D45N06L	D45N06R	6	23	57.5
D45N08L	D45N08R	8	23	57.5

D45Y

**SOLID CARBIDE
SPECIAL THROUGH HOLE DRILL BITS
SHANK 10mm DIAM. x 27mm LONG**

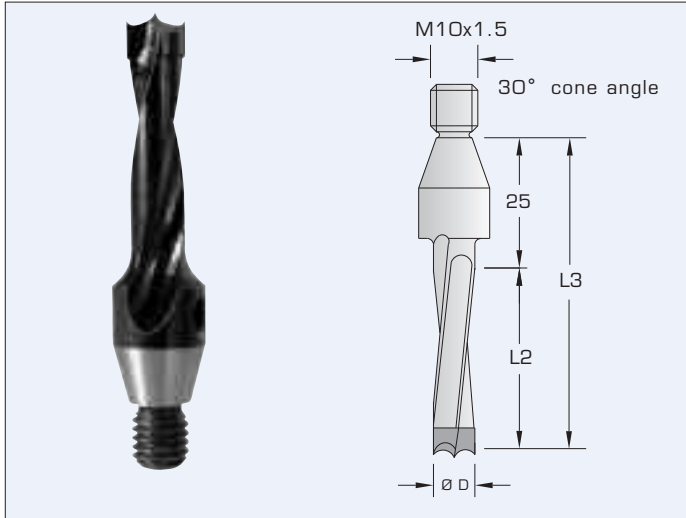


PART NO. LEFT-HAND	PART NO. RIGHT-HAND	CUTTING DIAM.	CUTTING LENGTH	OVERALL LENGTH
D45Y04L	D45Y04R	4	35	70
D45Y05L	D45Y05R	5	35	70
D45Y06L	D45Y06R	6	35	70
D45Y08L	D45Y08R	8	35	70

* Shank 10mm DIAM. x 39mm LONG x 13mm C.L.

D50P

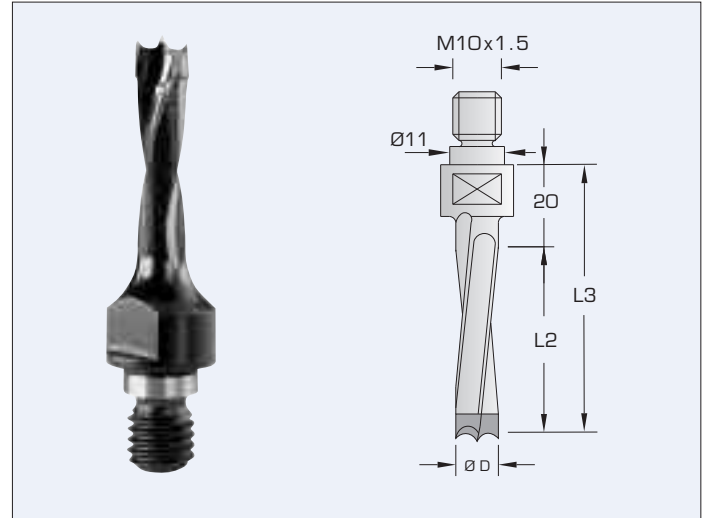
DOWEL DRILL BITS THREADED SHANK



PART NO. LEFT-HAND	PART NO. RIGHT-HAND	ØD mm	L2 mm	L3 mm
D50P05L	D50P05R	5	40	65
D50P06L	D50P06R	6	40	65
D50P08L	D50P08R	8	40	65
D50P10L	D50P10R	10	40	65
D50P12L	D50P12R	12	40	65
D50P14L	D50P14R	14	40	65

D50R

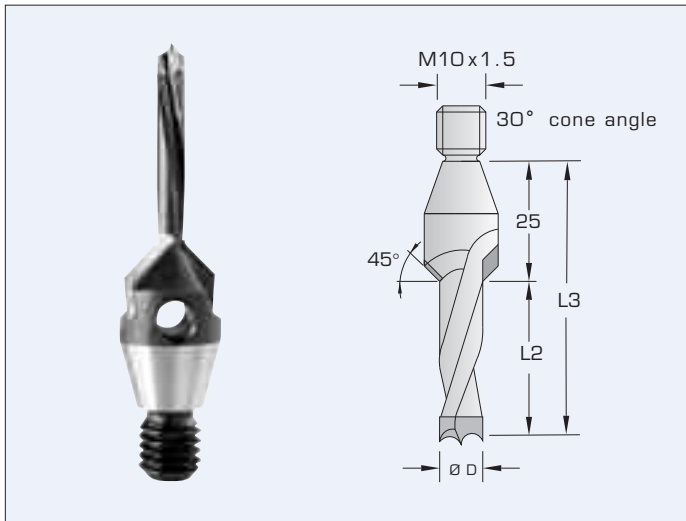
DOWEL DRILL BITS THREADED SHANK



PART NO. LEFT-HAND	PART NO. RIGHT-HAND	ØD mm	L2 mm	L3 mm
D50R05L	D50R05R	5	40	60
D50R06L	D50R06R	6	40	60
D50R08L	D50R08R	8	40	60
D50R10L	D50R10R	10	40	60
D50R12L	D50R12R	12	40	60
D50R14L	D50R14R	14	40	60

D50PS

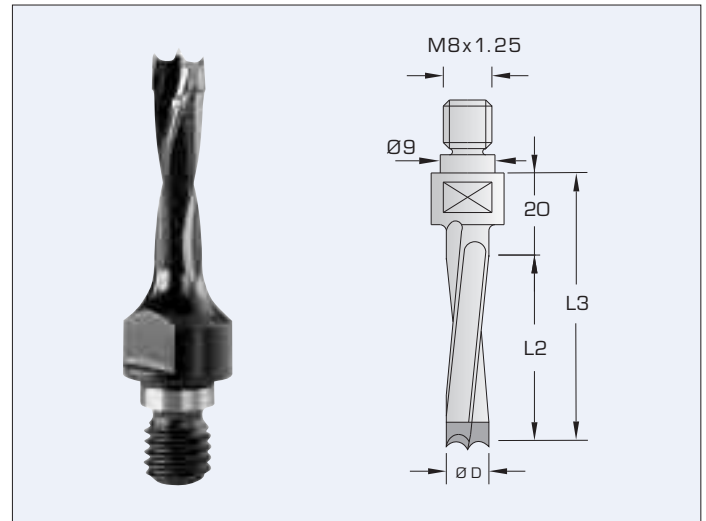
DOWEL DRILL BITS WITH COUNTER- SINK THREADED SHANK



PART NO. LEFT-HAND	PART NO. RIGHT-HAND	ØD mm	L2 mm	L3 mm
D50PS05L	D50PS05R	5	25	50
D50PS06L	D50PS06R	6	25	50
D50PS08L	D50PS08R	8	25	50
D50PS10L	D50PS10R	10	25	50
D50PS12L	D50PS12R	12	25	50
D50PS14L	D50PS14R	14	25	50

D50RM

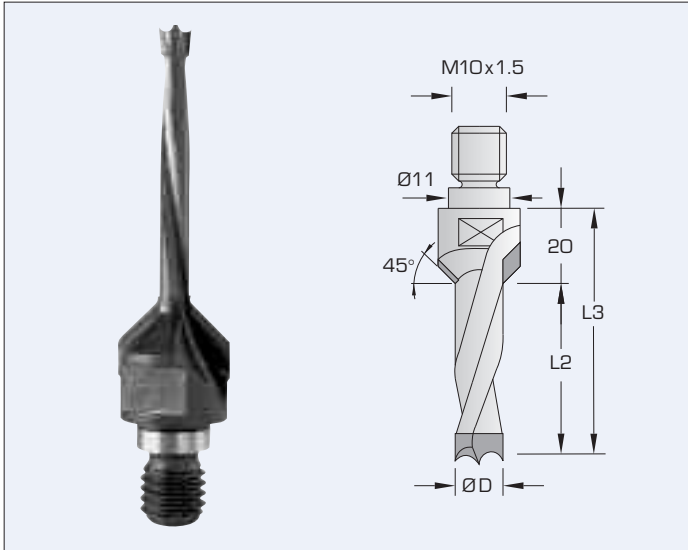
DOWEL DRILL BITS THREADED SHANK



PART NO. LEFT-HAND	PART NO. RIGHT-HAND	ØD mm	L2 mm	L3 mm
D50RM04L	D50RM04R	4	40	60
D50RM05L	D50RM05R	5	40	60
D50RM06L	D50RM06R	6	40	60
D50RM08L	D50RM08R	8	40	60
D50RM10L	D50RM10R	10	40	60
D50RM12L	D50RM12R	12	40	60

D50RS

DOWEL DRILL BITS WITH COUNTER-SINK THREADED SHANK



PART NO. LEFT-HAND	PART NO. RIGHT-HAND	ØD mm	L2 mm	L3 mm
D50RS05L	D50RS05R	5	25	60
D50RS06L	D50RS06R	6	25	60
D50RS08L	D50RS08R	8	25	60
D50RS10L	D50RS10R	10	25	60
D50RS12L	D50RS12R	12	25	60
D50RS14L	D50RS14R	14	25	60

D50E

DOWEL DRILLS SHANK 10mm DIAM. x 20mm LONG

PART NO. LEFT-HAND	PART NO. RIGHT-HAND	CUTTING DIAM.	CUTTING LENGTH	OVERALL LENGTH
D50E05L	D50E05R	5	25	50
D50E06L	D50E06R	6	25	50
D50E07L	D50E07R	7	25	50
D50E08L	D50E08R	8	25	50
D50E09L	D50E09R	9	25	50
D50E10L	D50E10R	10	25	50
D50E11L	D50E11R	11	25	50
D50E12L	D50E12R	12	25	50
D50E14L	D50E14R	14	25	50
D50E1/4L	D50E1/4R	1/4"	25	50
D50E3/8L	D50E3/8R	3/8"	25	50
D50E1/2L	D50E1/2R	1/2"	25	50

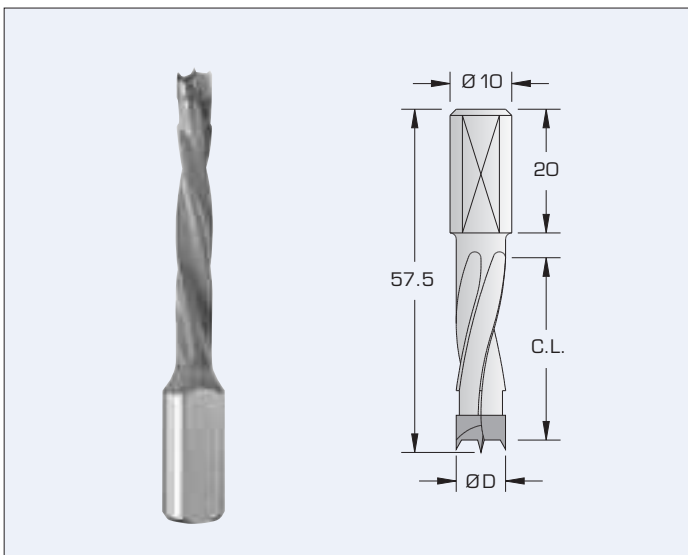
D50F

DOWEL DRILLS SHANK 10mm DIAM. x 20mm LONG

PART NO. LEFT-HAND	PART NO. RIGHT-HAND	CUTTING DIAM.	CUTTING LENGTH	OVERALL LENGTH
D50F04L	D50F04R	4	30	57.5
D50F05L	D50F05R	5	30	57.5
D50F052L	D50F052R	5.2	30	57.5
D50F055L	D50F055R	5.5	30	57.5
D50F06L	D50F06R	6	30	57.5
D50F065L	D50F065R	6.5	30	57.5
D50F067L	D50F067R	6.7	30	57.5
D50F07L	D50F07R	7	30	57.5
D50F08L	D50F08R	8	30	57.5
D50F08L-H	D50F08R-H	8	23	45
D50F082L	D50F082R	8.2	30	57.5
D50F09L	D50F09R	9	30	57.5
D50F10L	D50F10R	10	30	57.5
D50F11L	D50F11R	11	30	57.5
D50F12L	D50F12R	12	30	57.5
D50F14L	D50F14R	14	30	57.5
D50F15L	D50F15R	15	30	57.5
D50F16L	D50F16R	16	30	57.5
D50F3/16L	D50F3/16R	3/16"	30	57.5
D50F1/4L	D50F1/4R	1/4"	30	57.5
D50F3/8L	D50F3/8R	3/8"	30	57.5
D50F1/2L	D50F1/2R	1/2"	30	57.5
D50F5/8L	D50F5/8R	5/8"	30	57.5

D50E:F

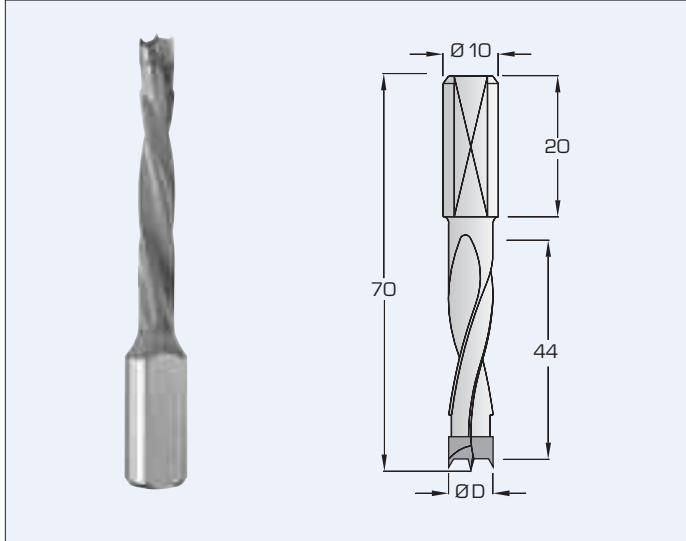
DOWEL DRILLS SHANK 10mm DIAM. x 20mm LONG



D50E:F Cont'd...

D50G

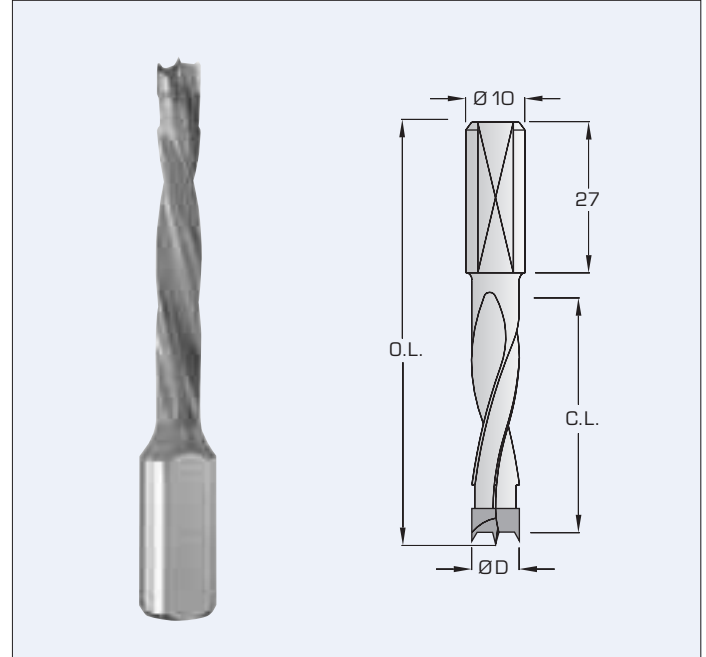
DOWEL DRILLS
SHANK 10mm DIAM. x 20mm LONG



PART NO. LEFT-HAND	PART NO. RIGHT-HAND	CUTTING DIAM.	CUTTING LENGTH	OVERALL LENGTH
D50G04L	D50G04R	4	44	70
D50G05L	D50G05R	5	44	70
D50G052L	D50G052R	5.2	44	70
D50G055L	D50G055R	5.5	44	70
D50G06L	D50G06R	6	44	70
D50G065L	D50G065R	6.5	44	70
D50G067L	D50G067R	6.7	44	70
D50G07L	D50G07R	7	44	70
D50G075L	D50G075R	7.5	44	70
D50G079L	D50G079R	7.9	44	70
D50G08L	D50G08R	8	44	70
D50G09L	D50G09R	9	44	70
D50G10L	D50G10R	10	44	70
D50G11L	D50G11R	11	44	70
D50G12L	D50G12R	12	44	70
D50G13L	D50G13R	13	44	70
D50G14L	D50G14R	14	44	70
D50G15L	D50G15R	15	44	70
D50G16L	D50G16R	16	44	70
D50G17L	D50G17R	17	44	70
D50G3/16L	D50G3/16R	3/16"	44	70
D50G1/4L	D50G1/4R	1/4"	44	70
D50G3/8L	D50G3/8R	3/8"	44	70
D50G7/16L	D50G7/16R	7/16"	44	70
D50G1/2L	D50G1/2R	1/2"	44	70
D50G5/8L	D50G5/8R	5/8"	44	70

D50GL:X

DOWEL DRILLS
SHANK 10mm DIAM. x 27mm LONG



D50GL

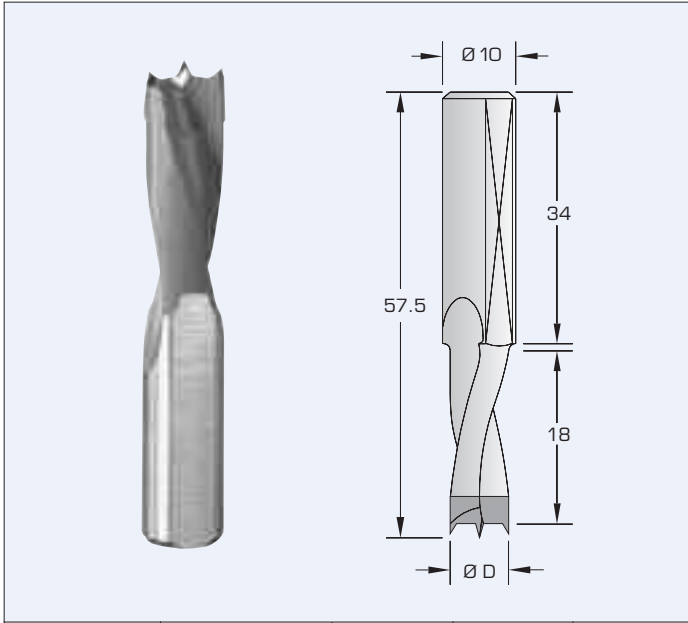
DOWEL DRILLS
SHANK 10mm DIAM. x 27mm LONG

PART NO. LEFT-HAND	PART NO. RIGHT-HAND	CUTTING DIAM.	CUTTING LENGTH	OVERALL LENGTH
D50GL05L	D50GL05R	5	50	85
D50GL06L	D50GL06R	6	50	85
D50GL08L	D50GL08R	8	50	85
D50GL10L	D50GL10R	10	50	85
D50GL12L	D50GL12R	12	50	85

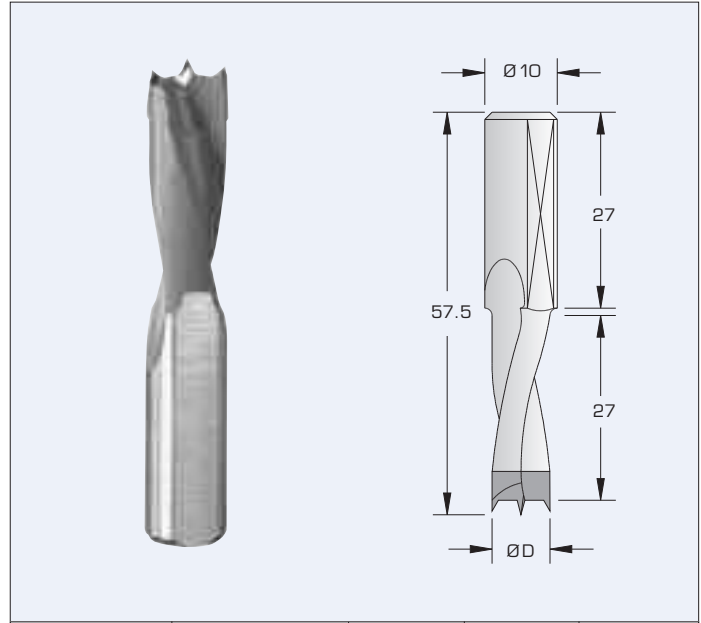
D50GX

DOWEL DRILLS
SHANK 10mm DIAM. x 27mm LONG

PART NO. LEFT-HAND	PART NO. RIGHT-HAND	CUTTING DIAM.	CUTTING LENGTH	OVERALL LENGTH
D50GX05L	D50GX05R	5	70	105
D50GX06L	D50GX06R	6	70	105
D50GX08L	D50GX08R	8	70	105
D50GX10L	D50GX10R	10	70	105
D50GX12L	D50GX12R	12	70	105

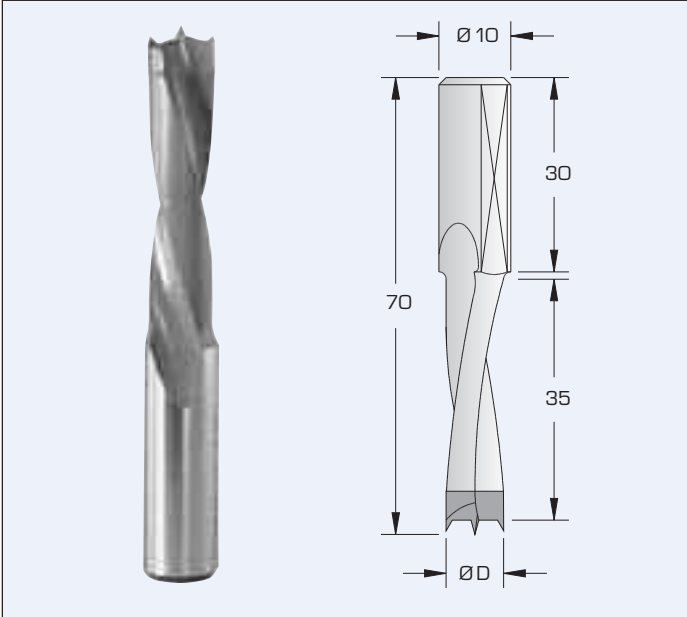
D50I**DOWEL DRILLS
SHANK 10mm DIAM. x 34mm LONG**

PART NO. LEFT-HAND	PART NO. RIGHT-HAND	CUTTING DIAM.	CUTTING LENGTH	OVERALL LENGTH
D50I05L	D50I05R	5	18	57.5
D50I06L	D50I06R	6	18	57.5
D50I07L	D50I07R	7	18	57.5
D50I08L	D50I08R	8	18	57.5
D50I10L	D50I10R	10	18	57.5

**D50L****DOWEL DRILLS
SHANK 10mm DIAM. x 27mm LONG**

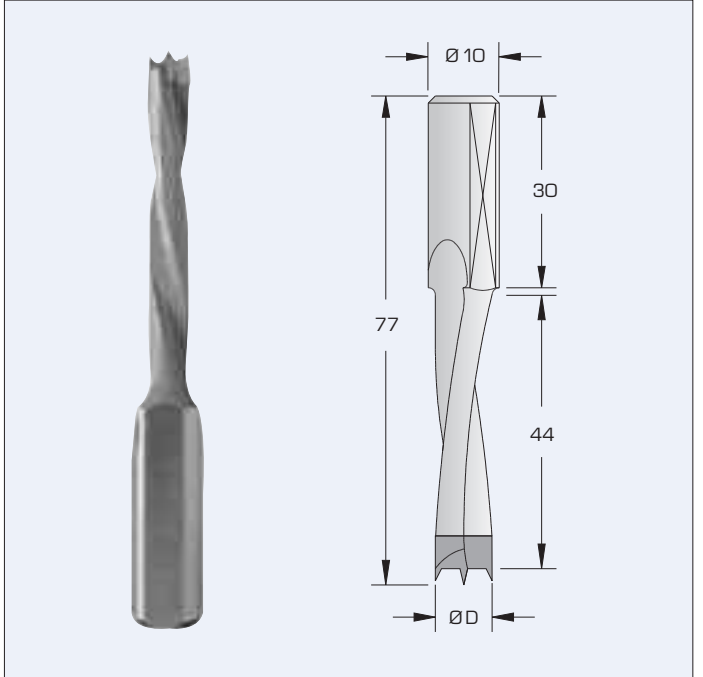
PART NO. LEFT-HAND	PART NO. RIGHT-HAND	CUTTING DIAM.	CUTTING LENGTH	OVERALL LENGTH
D50L04L	D50L04R	4	27	57.5
D50L05L	D50L05R	5	27	57.5
D50L052L	D50L052R	5.2	27	57.5
D50L055L	D50L055R	5.5	27	57.5
D50L06L	D50L06R	6	27	57.5
D50L07L	D50L07R	7	27	57.5
D50L08L	D50L08R	8	27	57.5
D50L082L	D50L082R	8.2	27	57.5
D50L09L	D50L09R	9	27	57.5
D50L10L	D50L10R	10	27	57.5
D50L11L	D50L11R	11	27	57.5
D50L12L	D50L12R	12	27	57.5
D50L13L	D50L13R	13	27	57.5
D50L14L	D50L14R	14	27	57.5
D50L15L	D50L15R	15	27	57.5
D50L16L	D50L16R	16	27	57.5
D50L1/4L	D50L1/4R	1/4"	27	57.5
D50L3/8L	D50L3/8R	3/8"	27	57.5
D50L1/2L	D50L1/2R	1/2"	27	57.5
D50L5/8L	D50L5/8R	5/8"	27	57.5

D50M DOWEL DRILLS
SHANK 10mm DIAM. x 30mm LONG



PART NO. LEFT-HAND	PART NO. RIGHT-HAND	CUTTING DIAM.	CUTTING LENGTH	OVERALL LENGTH
D50M04L	D50M04R	4	35	70
D50M05L	D50M05R	5	35	70
D50M055L	D50M055R	5.5	35	70
D50M06L	D50M06R	6	35	70
D50M07L	D50M07R	7	35	70
D50M08L	D50M08R	8	35	70
D50M082L	D50M082R	8.2	35	70
D50M09L	D50M09R	9	35	70
D50M10L	D50M10R	10	35	70
D50M11L	D50M11R	11	35	70
D50M12L	D50M12R	12	35	70
D50M13L	D50M13R	13	35	70
D50M14L	D50M14R	14	35	70
D50M15L	D50M15R	15	35	70
D50M16L	D50M16R	16	35	70
D50M1/4L	D50M1/4R	1/4"	35	70
D50M3/8L	D50M3/8R	3/8"	35	70
D50M1/2L	D50M1/2R	1/2"	35	70
D50M5/8L	D50M5/8R	5/8"	35	70

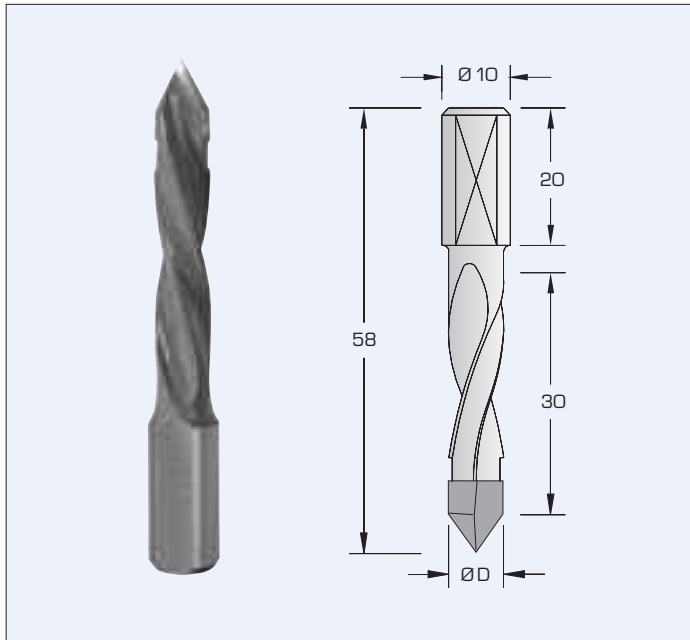
D50W DOWEL DRILLS
SHANK 10mm DIAM. x 30mm LONG



PART NO. LEFT-HAND	PART NO. RIGHT-HAND	CUTTING DIAM.	CUTTING LENGTH	OVERALL LENGTH
D50W04L	D50W04R	4	44	77
D50W05L	D50W05R	5	44	77
D50W06L	D50W06R	6	44	77
D50W07L	D50W07R	7	44	77
D50W08L	D50W08R	8	44	77
D50W09L	D50W09R	9	44	77
D50W10L	D50W10R	10	44	77
D50W11L	D50W11R	11	44	77
D50W12L	D50W12R	12	44	77

D50H

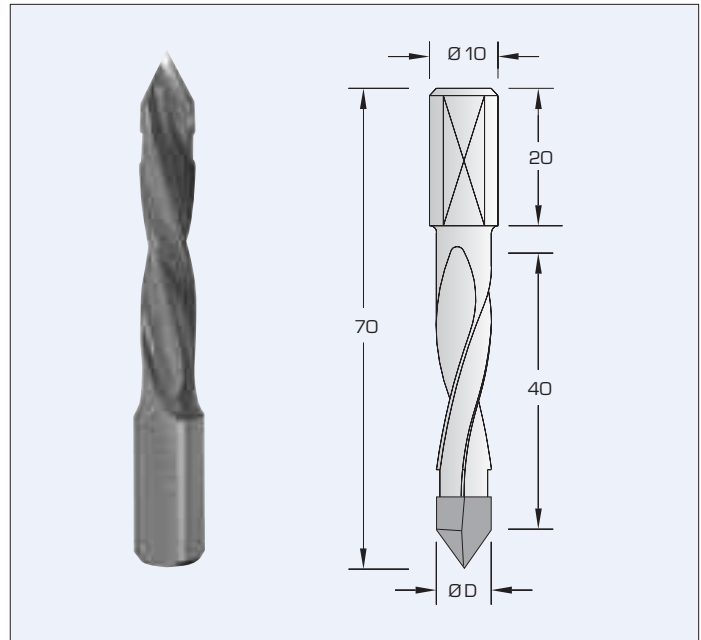
THROUGH HOLE DRILL BITS
SHANK 10mm DIAM. x 20mm LONG



PART NO. LEFT-HAND	PART NO. RIGHT-HAND	CUTTING DIAM.	CUTTING LENGTH	OVERALL LENGTH
D50H04L	D50H04R	4	30	58
D50H05L	D50H05R	5	30	58
D50H06L	D50H06R	6	30	58
D50H07L	D50H07R	7	30	58
D50H08L	D50H08R	8	30	58
D50H09L	D50H09R	9	30	58
D50H10L	D50H10R	10	30	58
D50H12L	D50H12R	12	30	58
D50H1/4L	D50H1/4R	1/4"	30	58
D50H3/8L	D50H3/8R	3/8"	30	58
D50H7/16L	D50H7/16R	7/16"	30	58

D50K

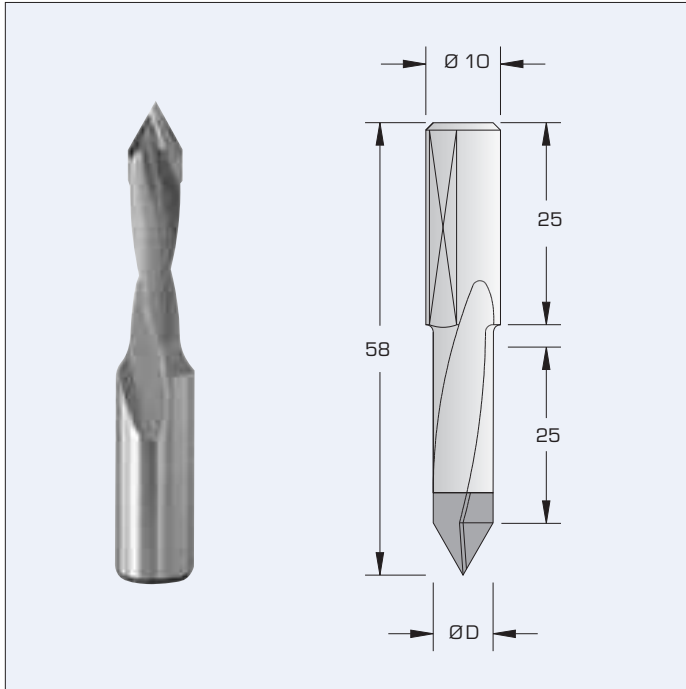
THROUGH HOLE DRILL BITS
SHANK 10mm DIAM. x 20mm LONG



PART NO. LEFT-HAND	PART NO. RIGHT-HAND	CUTTING DIAM.	CUTTING LENGTH	OVERALL LENGTH
D50K04L	D50K04R	4	40	70
D50K045L	D50K045R	4.5	40	70
D50K0483L	D50K0483R	4.83	40	70
D50K05L	D50K05R	5	40	70
D50K055L	D50K055R	5.5	40	70
D50K06L	D50K06R	6	40	70
D50K065L	D50K065R	6.5	40	70
D50K07L	D50K07R	7	40	70
D50K08L	D50K08R	8	40	70
D50K09L	D50K09R	9	40	70
D50K10L	D50K10R	10	40	70
D50K11L	D50K11R	11	40	70
D50K12L	D50K12R	12	40	70
D50K1/4L	D50K1/4R	1/4"	40	70
D50K3/8L	D50K3/8R	3/8"	40	70
D50K7/16L	D50K7/16R	7/16"	40	77
D50K1/2L	D50K1/2R	1/2"	40	70

D50N

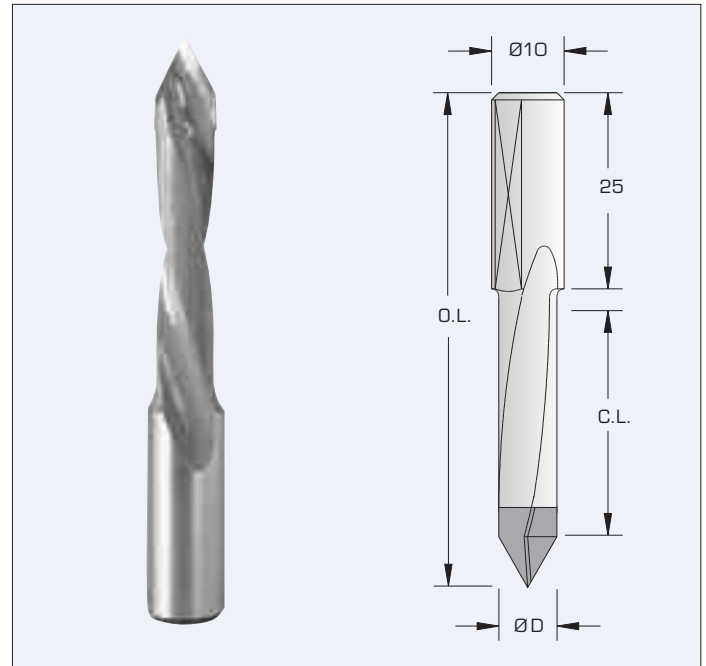
THROUGH HOLE DRILL BITS
SHANK 10mm DIAM. x 25mm LONG



PART NO. LEFT-HAND	PART NO. RIGHT-HAND	CUTTING DIAM.	CUTTING LENGTH	OVERALL LENGTH
D50N04L	D50N04R	4	25	58
D50N05L	D50N05R	5	25	58
D50N06L	D50N06R	6	25	58
D50N07L	D50N07R	7	25	58
D50N08L	D50N08R	8	25	58
D50N10L	D50N10R	10	25	58
D50N12L	D50N12R	12	25	58

D50Y:Z

THROUGH HOLE DRILL BITS
SHANK 10mm DIAM. x 25mm LONG



D50Y

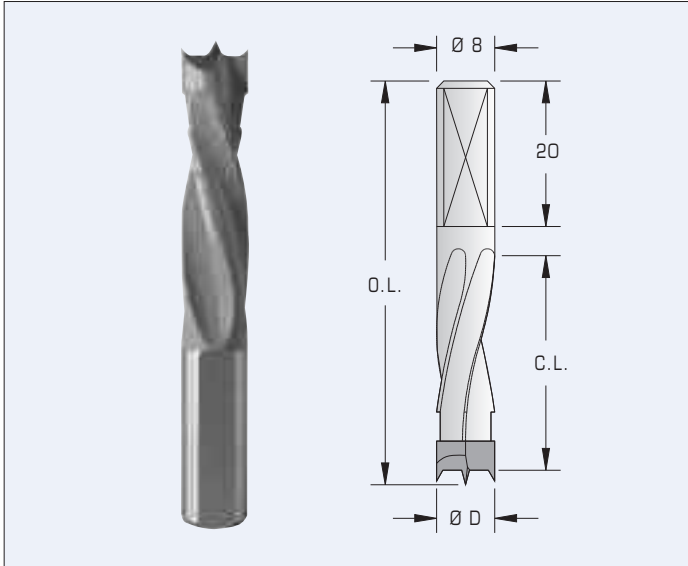
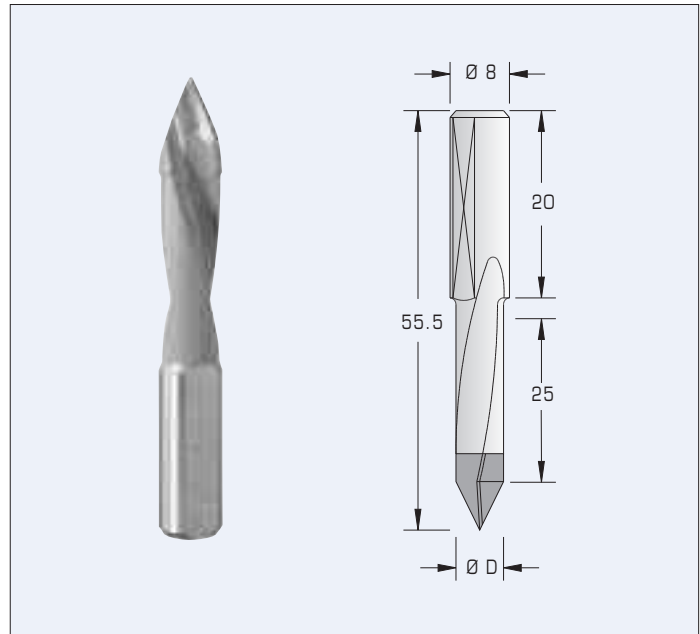
THROUGH HOLE DRILL BITS
SHANK 10mm DIAM. x 25mm LONG

PART NO. LEFT-HAND	PART NO. RIGHT-HAND	CUTTING DIAM.	CUTTING LENGTH	OVERALL LENGTH
D50Y04L	D50Y04R	4	35	70
D50Y05L	D50Y05R	5	35	70
D50Y06L	D50Y06R	6	35	70
D50Y07L	D50Y07R	7	35	70
D50Y08L	D50Y08R	8	35	70
D50Y09L	D50Y09R	9	35	70
D50Y10L	D50Y10R	10	35	70
D50Y11L	D50Y11R	11	35	70
D50Y12L	D50Y12R	12	35	70

D50Z

THROUGH HOLE DRILL BITS
SHANK 10mm DIAM. x 25mm LONG

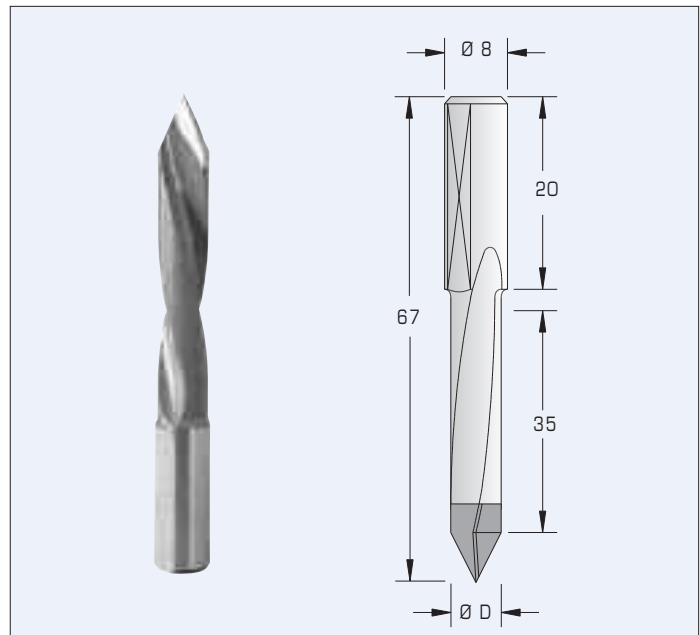
PART NO. LEFT-HAND	PART NO. RIGHT-HAND	CUTTING DIAM.	CUTTING LENGTH	OVERALL LENGTH
D50Z05L	D50Z05R	5	45	77
D50Z052L	D50Z052R	5.2	45	77
D50Z06L	D50Z06R	6	45	77
D50Z08L	D50Z08R	8	45	77
D50Z10L	D50Z10R	10	45	77
D50Z12L	D50Z12R	12	45	77

D50A:B
DOWEL DRILL BITS
SHANK 8mm DIAM. x 20mm LONG

D50C
THROUGH HOLE DRILL BITS
SHANK 8mm DIAM. x 20mm LONG


PART NO. LEFT-HAND	PART NO. RIGHT-HAND	CUTTING DIAM.	CUTTING LENGTH	OVERALL LENGTH
D50C05L	D50C05R	5	25	55.5
D50C08L	D50C08R	8	25	55.5

D50A
DOWEL DRILL BITS
SHANK 8mm DIAM. x 20mm LONG

PART NO. LEFT-HAND	PART NO. RIGHT-HAND	CUTTING DIAM.	CUTTING LENGTH	OVERALL LENGTH
D50A05L	D50A05R	5	30	55.5
D50A06L	D50A06R	6	30	55.5
D50A07L	D50A07R	7	30	55.5
D50A08L	D50A08R	8	30	55.5
D50A09L	D50A09R	9	30	55.5
D50A10L	D50A10R	10	30	55.5
D50A11L	D50A11R	11	30	55.5
D50A12L	D50A12R	12	30	55.5

D50D
THROUGH HOLE DRILL BITS
SHANK 8mm DIAM. x 20mm LONG


PART NO. LEFT-HAND	PART NO. RIGHT-HAND	CUTTING DIAM.	CUTTING LENGTH	OVERALL LENGTH
D50D05L	D50D05R	5	35	67
D50D08L	D50D08R	8	35	67

D50B
DOWEL DRILL BITS
SHANK 8mm DIAM. x 20mm LONG

PART NO. LEFT-HAND	PART NO. RIGHT-HAND	CUTTING DIAM.	CUTTING LENGTH	OVERALL LENGTH
D50B05L	D50B05R	5	40	67
D50B06L	D50B06R	6	40	67
D50B07L	D50B07R	7	40	67
D50B08L	D50B08R	8	40	67
D50B09L	D50B09R	9	40	67
D50B10L	D50B10R	10	40	67
D50B11L	D50B11R	11	40	67
D50B12L	D50B12R	12	40	67

D50HS HIGH PRECISION SOLID CARBIDE DRILL BITS



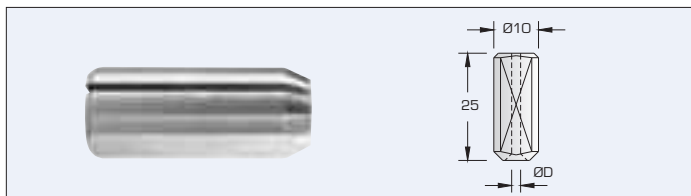
PART NO. LEFT-HAND	PART NO. RIGHT-HAND	ØD mm	CL mm	L mm
D50HS20L	D50HS20R	2	20	49
D50HS25L	D50HS25R	2.5	25	55
D50HS30L	D50HS30R	3	25	55
D50HS32L	D50HS32R	3.2	25	55
D50HS35L	D50HS35R	3.5	25	55
D50HS40L	D50HS40R	4	25	55

D0020 DRILL ADAPTORS WITH RETAINING SCREW



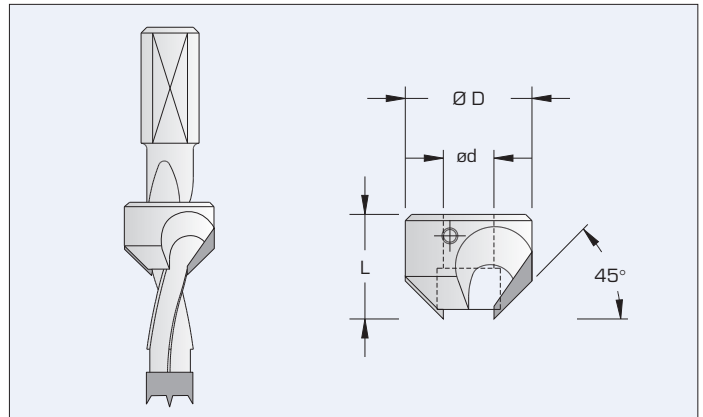
PART NO. LEFT-HAND	ØD mm	SHANK SIZE	OVERALL LENGTH
D0020	2	10x20	35
D0025	2.5	10x20	35
D0030	3	10x20	35
D0032	3.2	10x20	35
D0035	3.5	10x20	35
D0040	4	10x20	35

D00520 DRILL BUSHINGS "SPLIT" TYPE



PART NO. LEFT-HAND	ØD mm	OUTSIDE DIAM.	OVERALL LENGTH
D00520	2	10	25
D00525	2.5	10	25
D00530	3	10	25
D00532	3.2	10	25
D00535	3.5	10	25
D00540	4	10	25

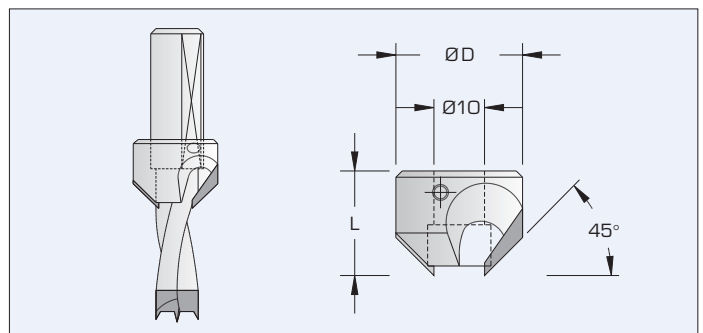
D50S COUNTERSINKS CARBIDE TIPPED



PART NO. LEFT-HAND	PART NO. RIGHT-HAND	ød mm	ØD mm	L mm
D50S04L	D50S04R	4	14	12
D50S05L	D50S05R	5	14	12
D50S06L	D50S06R	6	16	14
D50S07L	D50S07R	7	16	14
D50S08L	D50S08R	8	16	16
D50S09L	D50S09R	9	18	16
D50S10L	D50S10R	10	20	18
D50S11L	D50S11R	11	20	18
D50S12L	D50S12R	12	20	18
D50S1/4L	D50S1/4R	1/4"	16	14

D50S Type mounts on twist part of drill bits. Mounts on following drill types; D50A, D50B, D50C, D50D, D50E, D50F, D50G, D50GL, D50GX, D50H, D50K

D50T:D50U COUNTERSINKS CARBIDE TIPPED

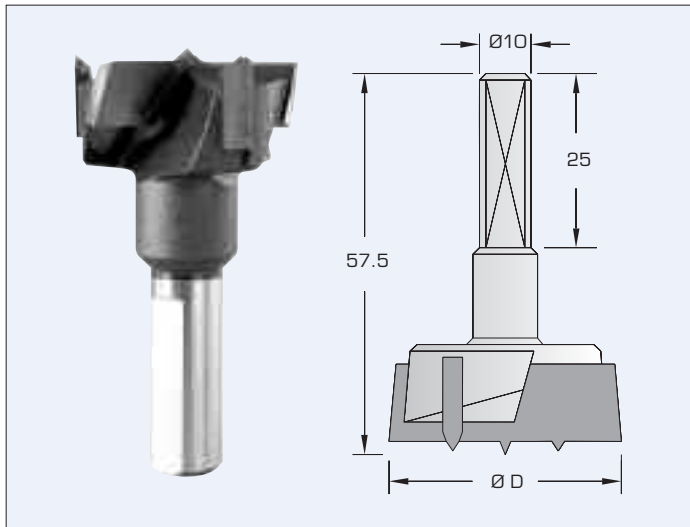


PART NO. LEFT-HAND	PART NO. RIGHT-HAND	FOR DRILL DIAM. mm	ØD mm	L mm
D50TL	D50TR	4-10	20	15
D50UL	D50UR	11-12	22	16

D50T - D50U Type mounts on shank of drill bits. Mounts on following drill types; D50I, D50L, D50M, D50N, D50W, D50Y, D50Z

D14A

HINGE BORING BITS 2 TEETH + 2 SPURS

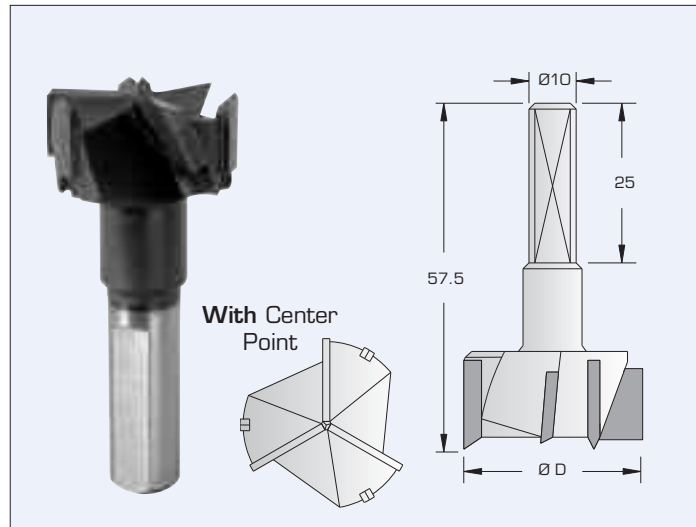


PART NO. LEFT-HAND	PART NO. RIGHT-HAND	CUTTING DIAM.	SHANK DIAM.	OVERALL LENGTH
D14A15L	D14A15R	15	10	57.5
D14A16L	D14A16R	16	10	57.5
D14A18L	D14A18R	18	10	57.5
D14A20L	D14A20R	20	10	57.5
D14A22L	D14A22R	22	10	57.5
D14A24L	D14A24R	24	10	57.5
D14A25L	D14A25R	25	10	57.5
D14A26L	D14A26R	26	10	57.5
D14A28L	D14A28R	28	10	57.5
D14A30L	D14A30R	30	10	57.5
D14A30L-H*	D14A30R-H*	30	10	47
D14A32L	D14A32R	32	10	57.5
D14A34L	D14A34R	34	10	57.5
D14A35L	D14A35R	35	10	57.5
D14A35L-H*	D14A35R-H*	35	10	47
D14A36L	D14A36R	36	10	57.5
D14A38L	D14A38R	38	10	57.5
D14A40L	D14A40R	40	10	57.5
D14A5/8L	D14A5/8R	5/8"	10	57.5
D14A3/4L	D14A3/4R	3/4"	10	57.5
D14A7/8L	D14A7/8R	7/8"	10	57.5

* Fits Holz-Her Machines

D14B

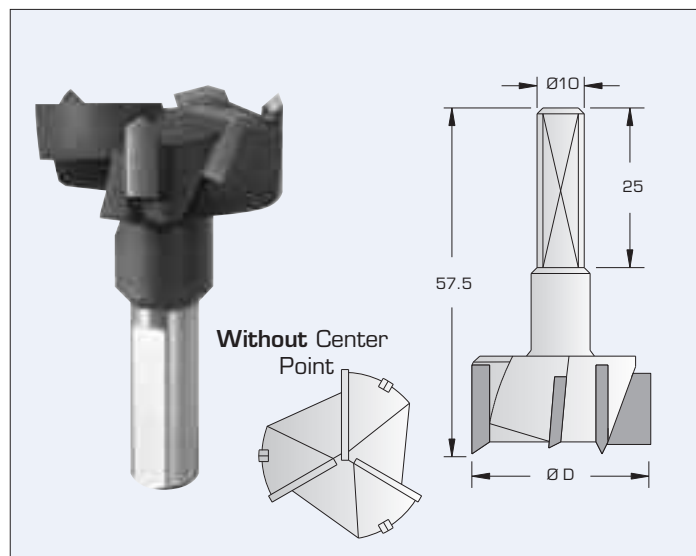
HINGE BORING BITS 3 TEETH + 3 SPURS



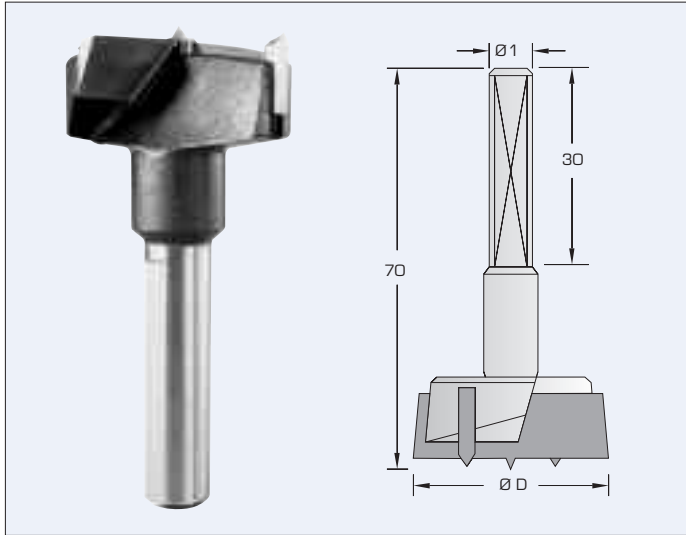
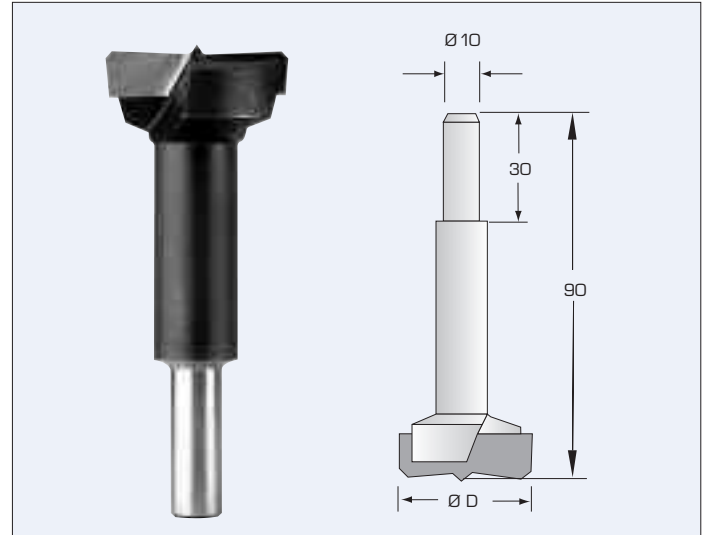
PART NO. LEFT-HAND	PART NO. RIGHT-HAND	CUTTING DIAM.	SHANK DIAM.	OVERALL LENGTH
D14B25L	D14B25R	25	10	57.5
D14B30L	D14B30R	30	10	57.5
D14B35L	D14B35R	35	10	57.5
D14B40L	D14B40R	40	10	57.5

D14H

HINGE BORING BITS 3 TEETH + 3 SPURS



PART NO. LEFT-HAND	PART NO. RIGHT-HAND	CUTTING DIAM.	SHANK DIAM.	OVERALL LENGTH
D14H25L	D14H25R	25	10	57.5
D14H30L	D14H30R	30	10	57.5
D14H35L	D14H35R	35	10	57.5
D14H40L	D14H40R	40	10	57.5

D15:16A
**HINGE BORING BITS
2 TEETH + 2 SPURS**

D14C
**HINGE BORING BITS
2 TEETH (WITHOUT SPURS)**

D15A
**HINGE BORING BITS
2 TEETH + 2 SPURS**

PART NO. LEFT-HAND	PART NO. RIGHT-HAND	CUTTING DIAM.	SHANK DIAM.	OVERALL LENGTH
D15A15L	D15A15R	15	10	70
D15A20L	D15A20R	20	10	70
D15A25L	D15A25R	25	10	70
D15A26L	D15A26R	26	10	70
D15A30L	D15A30R	30	10	70
D15A35L	D15A35R	35	10	70
D15A9/16L	D15A9/16R	9/16"	10	70
D15A3/4L	D15A3/4R	3/4"	10	70

PART NO. RIGHT-HAND	CUTTING DIAM.	SHANK DIAM.	OVERALL LENGTH
D14C15	15	10	90
D14C20	20	10	90
D14C25	25	10	90
D14C28	28	10	90
D14C30	30	10	90
D14C35	35	10	90
D14C38	38	10	90
D14C40	40	10	90

Design

- Two teeth (without spurs)
- Tapered sides
- Cylindrical shank (10x30mm)
(No flat on shank)

Application

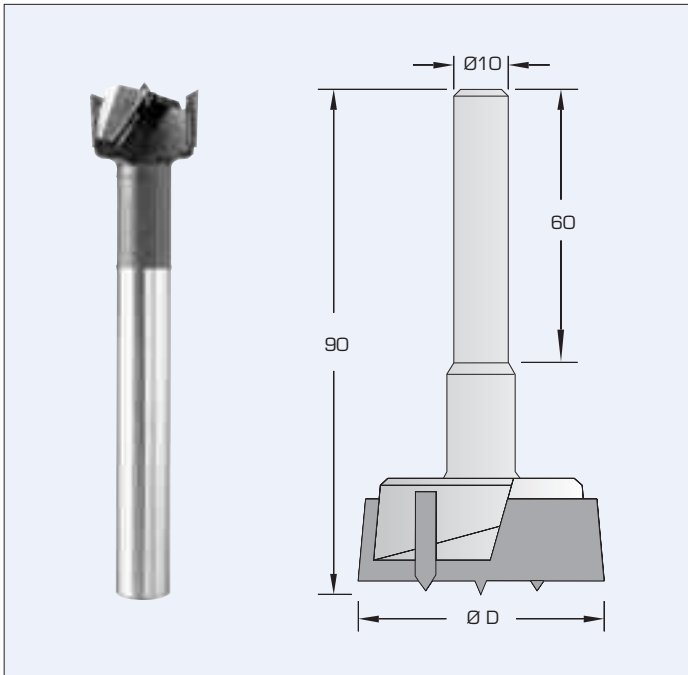
- For through boring hole

D16A
**HINGE BORING BITS
2 TEETH + 2 SPURS**

PART NO. LEFT-HAND	PART NO. RIGHT-HAND	CUTTING DIAM.	SHANK DIAM.	OVERALL LENGTH
D16A15L	D16A15R	15	10	77
D16A20L	D16A20R	20	10	77
D16A25L	D16A25R	25	10	77
D16A26L	D16A26R	26	10	77
D16A30L	D16A30R	30	10	77
D16A35L	D16A35R	35	10	77

D14D

HINGE BORING BITS 2 TEETH + 2 SPURS

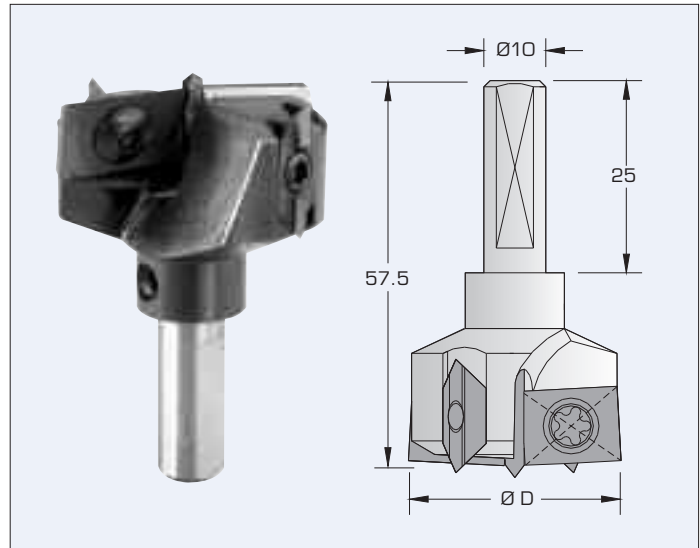


PART NO. RIGHT-HAND	CUTTING DIAM.	SHANK DIAM.	OVERALL LENGTH
D14D15	15	10	90
D14D16	16	10	90
D14D18	18	10	90
D14D20	20	10	90
D14D22	22	10	90
D14D24	24	10	90
D14D25	25	10	90
D14D26	26	10	90
D14D28	28	10	90
D14D30	30	10	90
D14D32	32	10	90
D14D34	34	10	90
D14D35	35	10	90
D14D35L *	35	10	90
D14D36	36	10	90
D14D38	38	10	90
D14D40	40	10	90
D14D5/8	5/8"	10	90
D14D3/4	3/4"	10	90

*(Left Hand Rotation)

D14E

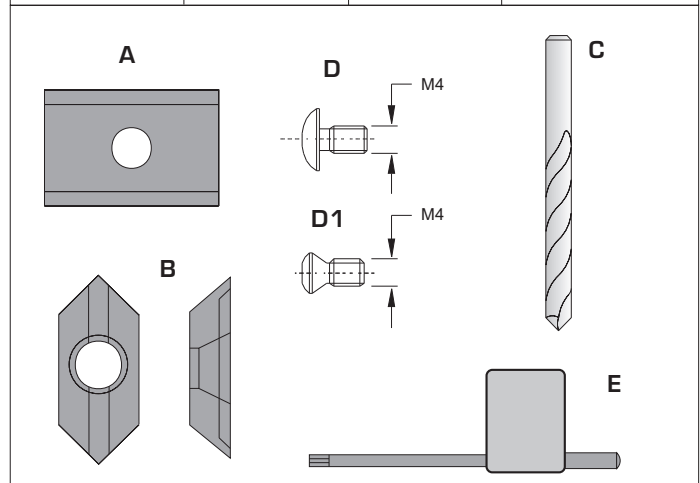
HINGE BORING BITS WITH REVERSIBLE INSERTS 2 TEETH + 2 SPURS



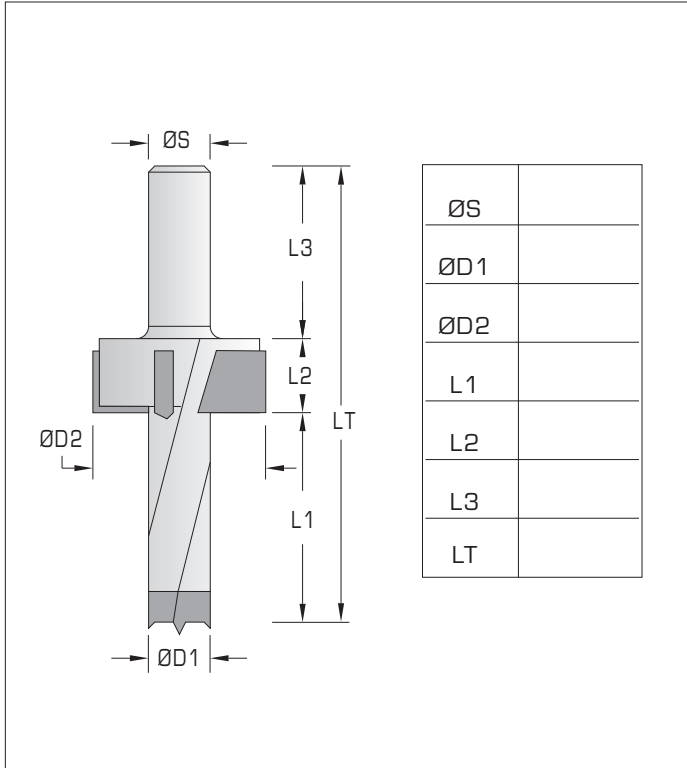
PART NO. LEFT-HAND	PART NO. RIGHT-HAND	CUTTING DIAM.	SHANK DIAM.	OVERALL LENGTH
D14E25L	D14E25R	25	10	57.5
D14E26L	D14E26R	26	10	57.5
D14E30L	D14E30R	30	10	57.5
D14E35L	D14E35R	35	10	57.5
D14E40L	D14E40R	40	10	57.5

REPLACEMENT PARTS AND KNIVES

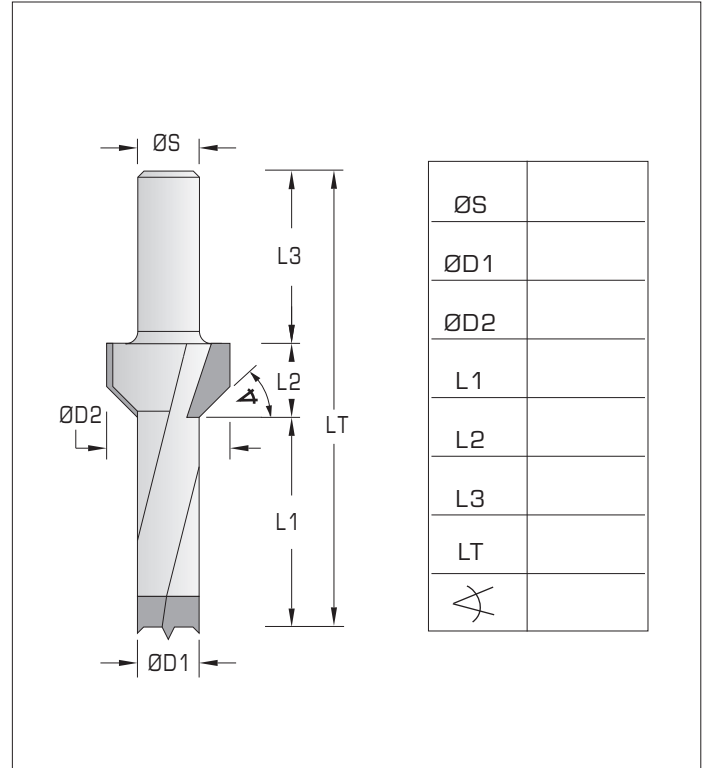
PART NO. LH	PART NO. RH	CUTTING DIAM.	PART TYPE
D14E25A	D14E25A	25	A INSERT
D14E26A	D14E26A	26	A INSERT
D14E30A	D14E30A	30	A INSERT
D14E35A	D14E35A	35	A INSERT
D14E40A	D14E40A	40	A INSERT
D14E40B	D14E40B	25:40	B SPUR
D14E40CL	D14E40CR	25:40	C CENT.POINT
D14EM4F	D14EM4F	25:40	D SCREW
D14EM4T	D14EM4T	25:40	D1 SCREW
W400405	W400405	25:40	E Wrench T15



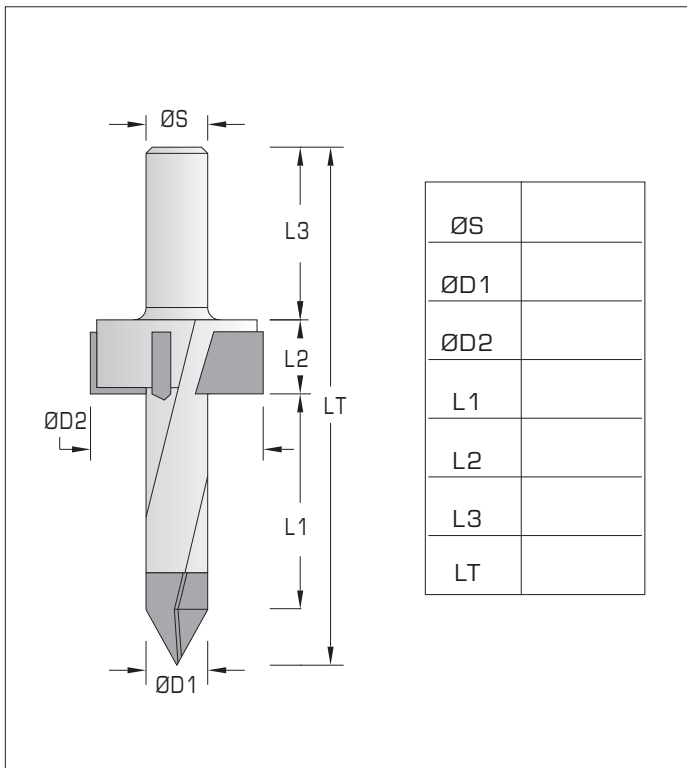
D60F1 COUNTERBORE BITS WITH BRAD POINT DRILL BIT



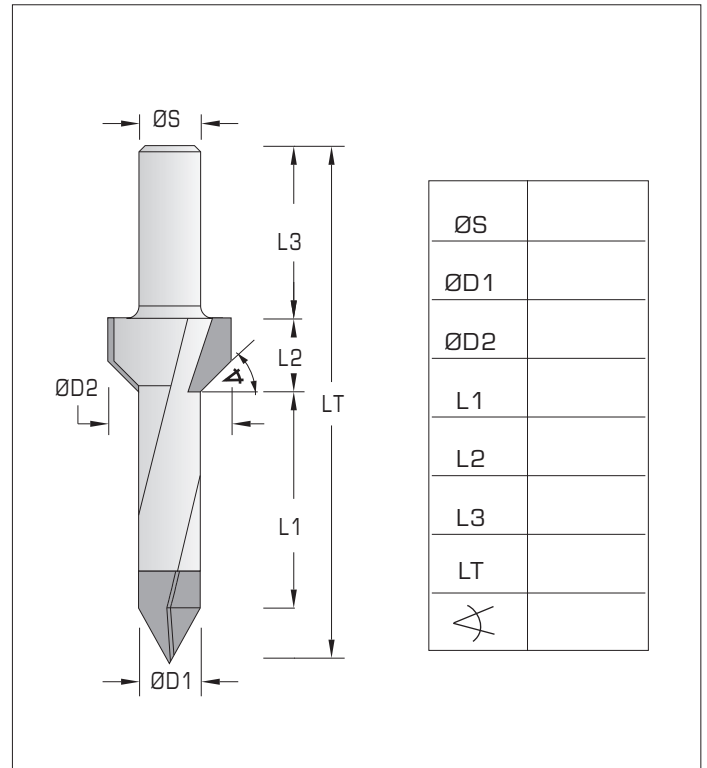
D60F2 COUNTERSINK BITS WITH BRAD POINT DRILL BIT

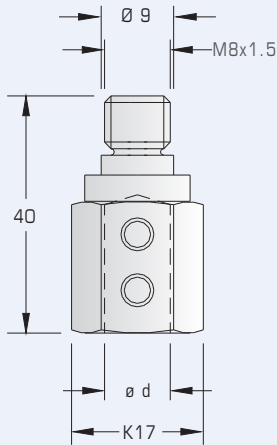


D60N1 COUNTERBORE BITS WITH THROUGH HOLE DRILL BIT

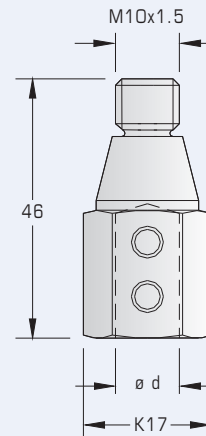


D60N2 COUNTERSINK BITS WITH THROUGH HOLE DRILL BIT

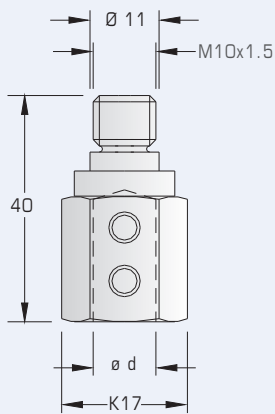


D0012
**DRILL ADAPTORS
M8 SHANK**


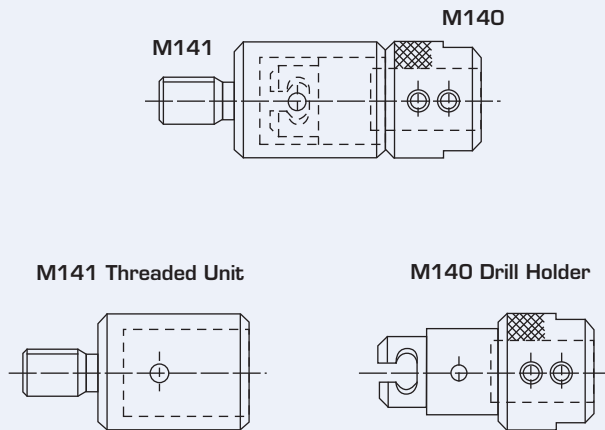
PART NO. LEFT-HAND	PART NO. RIGHT-HAND	INSIDE DIAM. ød mm
D001208L	D001208R	8
D001210L	D001210R	10

D0014
**DRILL ADAPTORS
M10 SHANK - TAPERED**


PART NO. LEFT-HAND	PART NO. RIGHT-HAND	INSIDE DIAM. ød mm
D001408L	D001408R	8
D0014L	D0014R	10

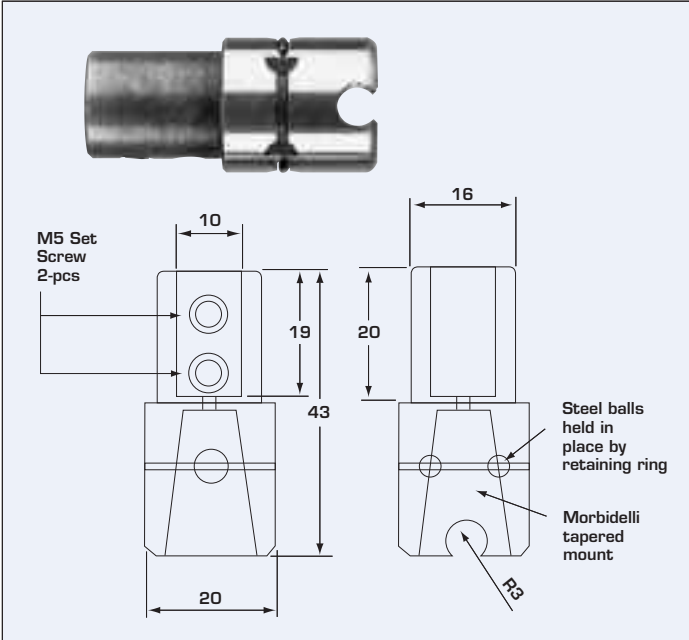
D0013
**DRILL ADAPTORS
M10 SHANK**


PART NO. LEFT-HAND	PART NO. RIGHT-HAND	INSIDE DIAM. ød mm
D001308L	D001308R	8
D0013L	D0013R	10

M140
**QUICK - CHANGE
DRILL ADAPTORS**


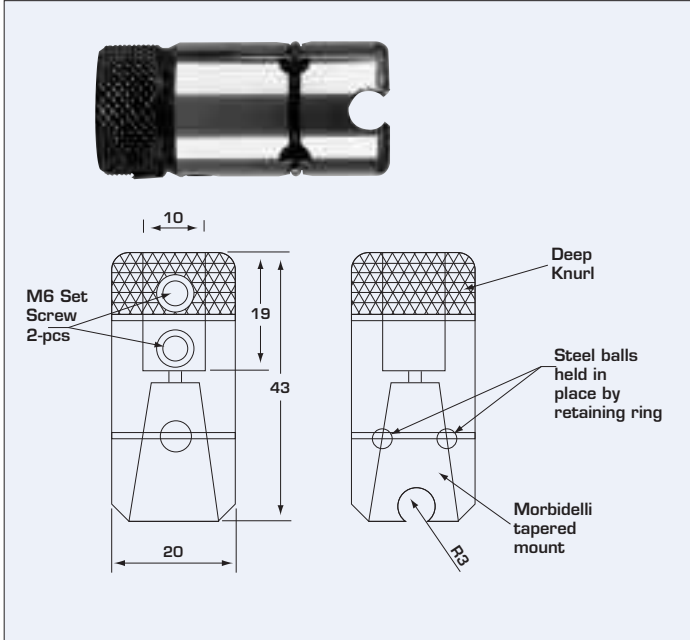
PART No.	DESCRIPTION
M140	Drill holder for 10mm shanks
M141L	Threaded unit M10 Left-hand
M141R	Threaded unit M10 Right-hand

M160 QUICK-CHANGE DRILL ADAPTORS "TRACK" STYLE MORBIDELLI ADAPTORS



PART NO.	DESCRIPTION
M160	Drill adaptor for 10mm drill shanks

D60F2 QUICK-CHANGE DRILL ADAPTORS "STANDARD" STYLE MORBIDELLI ADAPTORS



PART NO.	DESCRIPTION
M165	Drill adaptor for 10mm drill shanks

NOTES

